



Model Number

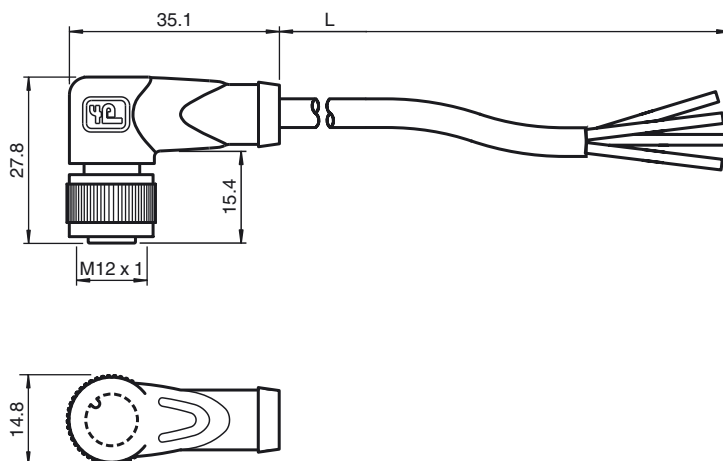
V1-W-BK5M-PUR-U

Female cordset, M12, 4-pin, PUR cable

Features

- UL Recognized Component
- Suitable for drag chains
- Knurled nut suitable for tool assembly
- Immunity to vibration, with mechanical latching
- Halogen-free
- Gold plated contacts

Dimensions



Technical data

General specifications

| | |
|---------------------|-------------|
| Number of pins | 4 |
| Connection 1 | socket |
| Construction type 1 | right angle |
| Threading 1 | M12 |
| Connection 2 | cable end |
| UL File Number | E231213 |

Electrical specifications

| | | |
|-------------------|-------|------------------|
| Operating voltage | U_B | max. 250 V AC/DC |
| Operating current | | max. 4 A |
| Volume resistance | | < 5 m Ω |

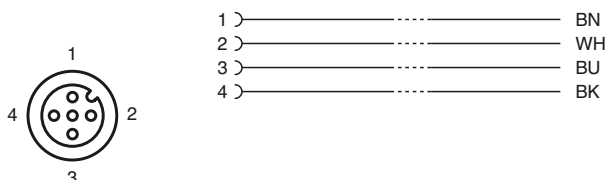
Ambient conditions

| | |
|---------------------|---|
| Ambient temperature | Body: -40 ... 90 °C (-40 ... 194 °F) cable, fixed: -40 ... 80 °C (-40 ... 176 °F) cable, flexing: -20 ... 80 °C (-4 ... 176 °F) |
| Pollution Degree | 3 |

Mechanical specifications

| | |
|------------------------|--|
| Contact elements | spring-loaded contact socket |
| Pin diameter | 1 mm |
| Degree of protection | IP67 / IP68 / IP69k |
| Material | |
| Contacts | CuSn / Au |
| Contact surface | Au |
| Body | TPU, black |
| Cable | PUR |
| Slotted nut | Diecast zinc |
| Core insulation | PP |
| Cable | extra-fine wire, flexible |
| Sheath diameter | Ø 4.3 mm |
| Bending radius | > 10 x cable diameter, moving > 5 x cable diameter, fixed |
| Color | black |
| Cores | 4 x 0.34 mm ² |
| Conductor construction | 42 x 0.1 mm Ø |
| Length | L 5 m |
| Drag chain suitability | |
| Drag chain cycles | ≥ 5000000 |
| Motion velocity | ≤ 3.3 m/s |
| Torsional stress | ± 180 °/m |
| Flammability | |
| Contact material | HB |
| Housing | V-2 |
| Cable | FT2 |

Electrical connection





Compliance with standards and directives

Standard conformity

| | |
|----------------------|---|
| Degree of protection | EN 60529:2000 |
| Standards | IEC 61076-2-101:2008 |
| Flammability | Body: UL 94 Line: UL 1581 Section 1061; IEC 60332-1-2:2004 |
| Halogen-free | IEC 60754-1:1994 |

Approvals and certificates

UL approval

| | |
|---|--------------------|
| Maximum permissible operating voltage | ≤ 30 V |
| Maximum permissible ambient temperature | ≤ 80 °C (≤ 176 °F) |

Release date: 2014-05-28 09:42 Date of issue: 2014-05-28 217482_eng.xml