



Model Number

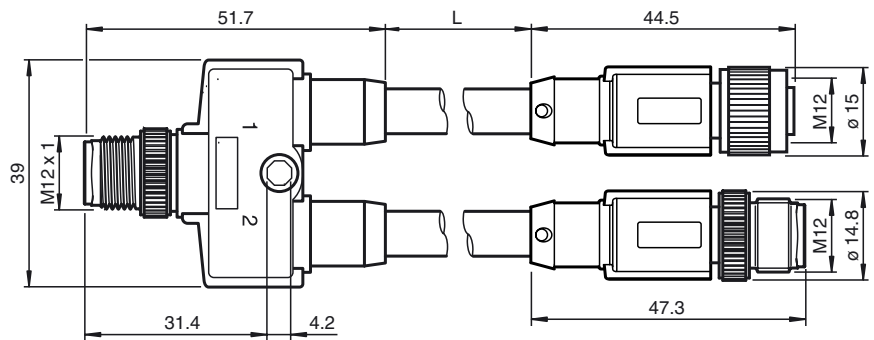
ICZ-3T-0,3M-PUR ABG-V15B-G

Y connection cable for PROFIBUS

Features

- Replacement of devices without bus interruption possible
- Screen put on the coupling nut and Pin 5
- Data transmission up to 12 MBaud

Dimensions



Technical data

General specifications

Number of pins	2 + 1 x screen
Transfer rate	max. 12 MBit/s

Electrical specifications

Rated voltage	30 V
Rated current	4 A
Volume resistance	≤ 5 mΩ

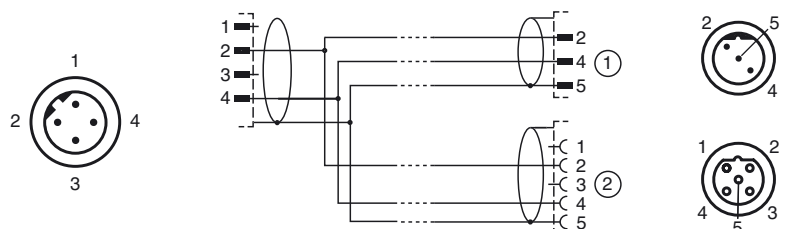
Ambient conditions

Ambient temperature	Body: -25 ... 90 °C (-13 ... 194 °F) cable, fixed: -40 ... 80 °C (-40 ... 176 °F) cable, flexing: -20 ... 80 °C (-4 ... 176 °F)
---------------------	---

Mechanical specifications

Degree of protection	IP65
Connection	4-pin M12 connector/socket, B-coded for PROFIBUS
Material	
Contacts	CuSn
Contact surface	Ni/Au
Body	TPU, black
Cable	PUR
Slotted nut	Zinc die-casting, nickel-plated
Core insulation	PE
Cable	
Sheath diameter	Ø 7.8 mm
Bending radius	> 10 x cable diameter, moving
Color	violet
Cores	2 x 0.25 mm ²
Length	L 0.3 m
Mass	approx. 105 g

Electrical connection



Release date: 2014-10-06 17:04 Date of issue: 2014-10-06 249684_eng.xml

Refer to "General Notes Relating to Pepperl+Fuchs Product Information".