



Product Change Notification

Date Issued :	March 21, 2022	PCN Number :	511588
Reason for Change :	Capacity change or tool replacement		
Description of Change :	Due to OEM increase in product, we are experiencing extremely high demand beyond our capacity to respond within lead time. Molex is expediting capacity component tooling to increase output.		
Reason for Short Notice :	Capacity Increase		
Assessment of Change :	First Article Inspection Dimension analysis		
Planned Implementation Date :	May 08, 2022		
Sample Availability Date:	May 07, 2022		
Internal Molex Qualification Date :	April 14, 2022		
Last date to request Samples by Customer :	May 01, 2022		
Traceability Code Markings / Date :	Product made after planned implementation date can contain the change		

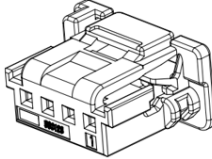
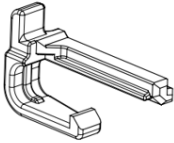
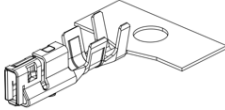
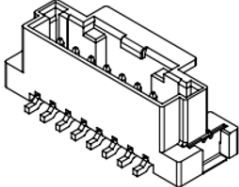
Before Picture

Overview

- Due to OEM increase in product, we are experiencing extremely high demand beyond our capacity to respond within lead time. Molex is expediting capacity component tooling to increase output.
- Product Impact
 - “no impact to fit, form or function”
- Part Number Impact
 - Please refer attached impacted part list.
- Qualification Reports and samples available from 7th of Mar.
- PPAP will be available on 27/03/2022.
 - If PPAP requested, disposition response required within 5 days of submit date or it will be considered approved.
 - If no PPAP requested by 31/03/2022, the PPAP will be considered approved.

After Picture

- Affected products as shown below,

Receptacle 560123 560235	ISL 560125 560237	Terminal 560124 560236	Vertical Assembly line 560020 560234
			

RELEASED

You may address inquires regarding this PCN by clicking on the below link
mailto:pcn_coordinator@molex.com?subject=PCN_Notification:511588
 or contact your Local Sales Engineer.

Note: While responding, please retain " PCN Notification : **PCN Notification: 511588** " in the e-mail Subject line for faster response.

Molex, LLC
 2222 Wellington Court
 Lisle, IL 60532
 TEL (800) 786-6539
www.molex.com