

R300

Brass high pressure regulator,
for compressed air, gas and liquids



FEATURES

Pressure regulator for inlet pressure up to 220 bar (3190 psi) in the standard version, higher pressure for special versions.

Ideal for industrial applications where high flow rates are required.

Inlet and outlet connections G3/4-M, other connections available on request.

Outlet pressure, up to 15 bar (218 psi), is controlled by a diaphragm; greater outlet pressure are controlled by a piston.

Balanced main valve for a constant outlet pressure when varying the upstream pressure.

Gauges for inlet and outlet pressure.

Available the ATEX 2014/34/EU version
brand $\text{CE} \text{ II 2 Gc I I C T X}$
 $\text{CE} \text{ II 2 Dc I I I C T X}$.

For use in potentially explosive atmospheres zones: 1, 21, 2, 22 (not applicable in mines and zone 0).

Available the EAC-EX TP TC 012/2011 versions for the Russian market.

The product complies with the directive 2014/68/EU PED.

SPECIFICATIONS

Gauges: accuracy class 1,6

Diaphragm version weight: ~9 Kg (~20 lb)

Piston version weight: ~10 Kg (~22 lb)

Working temperature: -20°C ÷ +60°C (-4°F ÷ 140°F) for standard version

Main valve leakage classification: VI (bubble tight)

Flow coefficient: $K_v = 1,5 \text{ Nm}^3/\text{h}$

Degree of protection: IP25

MATERIALS

Body and bonnet: brass

Internal parts: brass

Main valve spring: C85 (not in contact with the fluid)

Adjusting spring: C85 (not in contact with the fluid)

Diaphragm for inlet pressure up to 15 bar(218 psi): double NBR+PTFE, PTFE in contact with the fluid

Piston (for greater inlet pressure): brass

O-rings: EPDM or FPM depending on the fluid (other compounds available on request)

Main valve seat: PA 6.6

ACCESSORIES

Kit bracket and screws

Available pilot operated version, pressure setpoint to be controlled by a pilot regulator.

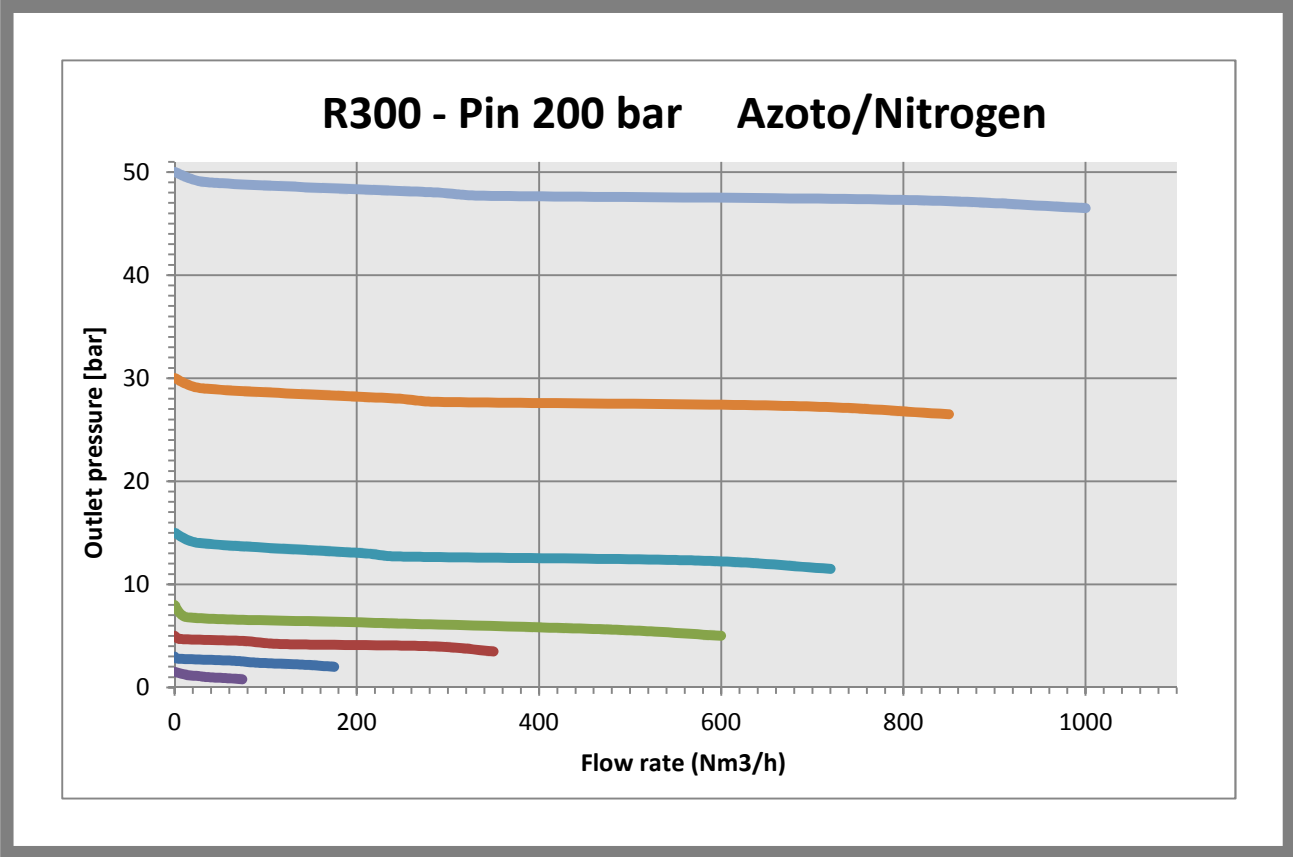
SPARE PARTS

Gauges

Overpressure valve

Complete kit: assembled diaphragm, inlet filter, main valve, O-rings

graphs and curves



generating the product code

R300 Ottone			
AA BB CC DD E F GG			
AA	Attacchi / Connections	05	G 3/4-F
		Q0	G 3/4-M
BB	Pressione d'ingresso / Inlet pressure	J0	220 bar
		L0	80 bar
		D0	Pout 0,8 - 8 bar ^(B)
CC	Intervallo d'uscita/ Outlet range	E0	Pout 1,5 - 15 bar ^(B)
		FO	Pout 3-30 bar ^(B)
		G0	Pout 5-50 bar ^(B)
		X0	Pout 10-100 bar ^(B)
DD	Tipologia di fluido / Fluid type	11	H2 Idrogeno PED Classe III
		15	O2 PED Classe III
		94	FPM PED Classe III
		98	EPDM
		99	FPM
E	Pilotato/ Pilot operated	N	Non Pilotato
		P	Pilotato
F	Marchiato / Marked	I	ID
		Z	Dir ATEX 2014/34/EU
GG	Accessori / Accessories	00	Nessun accessorio / No accessories
		11	Convogliata

(B): Regolatore bilanciato/ Balanced regulator

CODE COMPOSITION EXAMPLE

300# Q0 J0 E0 98 N I 00

300#: Regulator R300 brass

Q0: Connection G 3/4-M

J0: Maximum inlet pressure 220 bar

E0: Outlet pressure range 1,5-15 bar

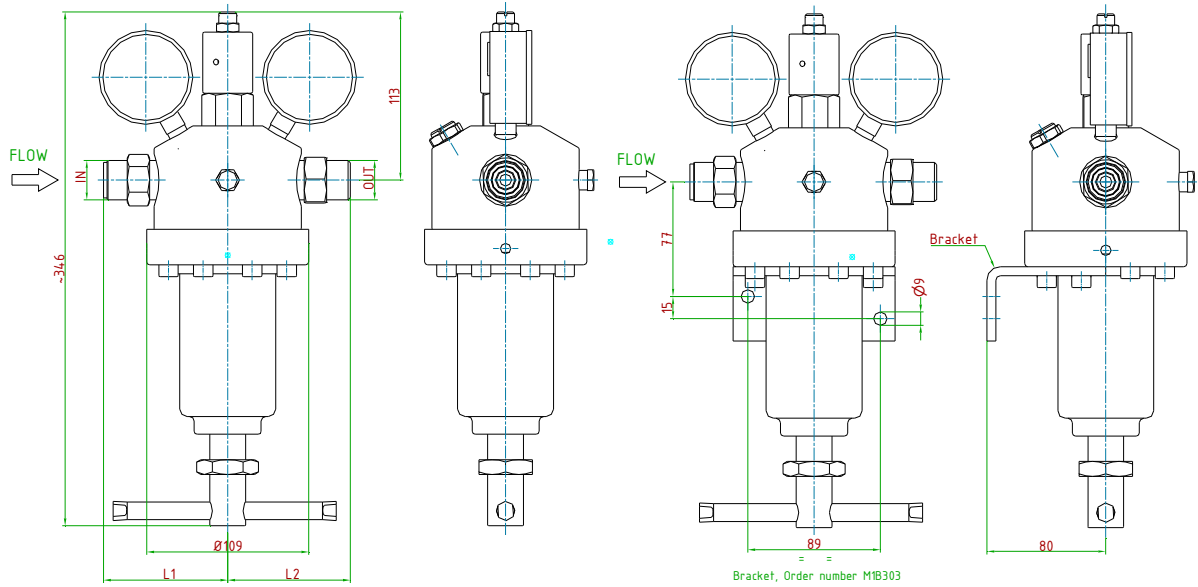
98: EPDM gaskets

N: Not pilot operated

I: ID

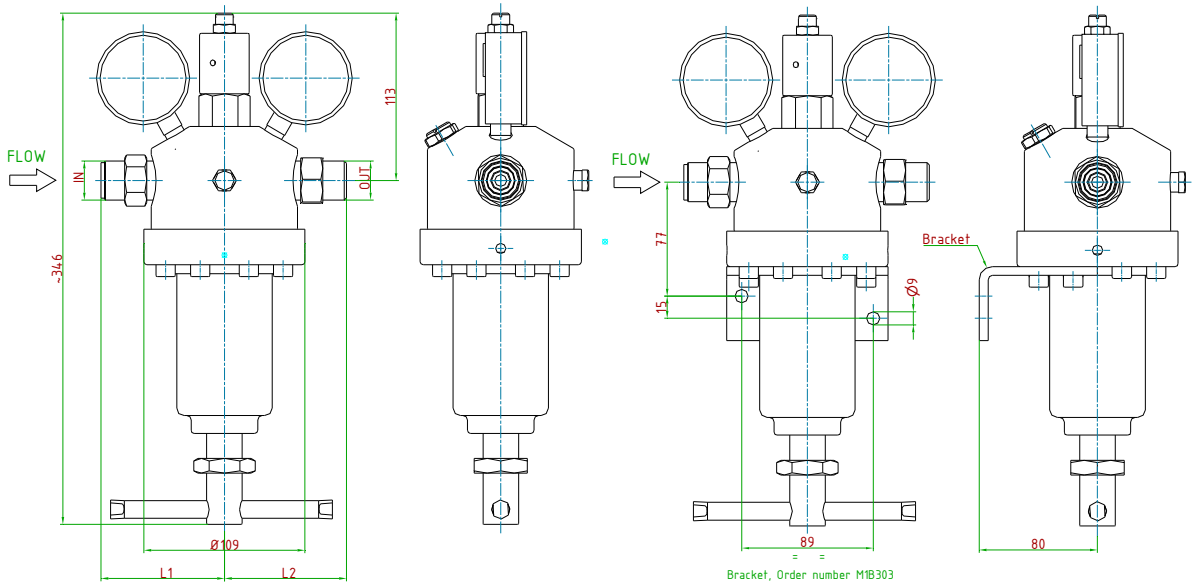
00: No accessories

technical drawings (all dimensions in mm)



VERSIONE A MEMBRANA
DIAPHRAGM VERSION

Tabella					
IN/OUT	(43) RACCORDO ENTRATA	(44) RACCORDO USCITA	L1	L2	
3/4" GAS M	P29003	P29004	83.5	82.5	
3/4" GAS F	P29093	P29094	99.5	79.5	
3/4" NPT M	P29020	P29029	90.5	88.5	
3/4" NPT F	P29081	P29082	99.5	79.5	
1" GAS F	P29118	P29119	102.5	82.5	
1" NPT F	P29164	P29163	99.5	99.5	



VERSIONE A MEMBRANA
PISTON VERSION

IN/OUT	(43) RACCORDO ENTRATA	(44) RACCORDO USCITA	L1	L2	
3/4" GAS M	P29003	P29004	83.5	82.5	
3/4" GAS F	P29093	P29094	99.5	79.5	
3/4" NPT M	P29020	P29029	90.5	88.5	
3/4" NPT F	P29081	P29082	99.5	79.5	
1" GAS F	P29118	P29119	102.5	82.5	
1" NPT F	P29164	P29163	99.5	99.5	

ID Insert Deal Srl

Strada dei Boschi, 40
20852 Villasanta (MB) Italia
tel. +39 039 302035
info@idinsertdeal.com
www.idinsertdeal.com

ID Insert Deal si riserva il diritto di cambiare le specifiche del prodotto senza preavviso.
ID Insert Deal reserves the right to change and/or modify product specifications without prior notice.

Insert Deal non si assume alcuna responsabilità per la scelta, uso e manutenzione di qualsiasi prodotto. La responsabilità per l'ideale scelta, uso e manutenzione di qualsiasi prodotto ID rimane interamente a carico dell'acquirente.

Insert Deal does not assume responsibility for selection, use and maintenance of any products. Responsibility for proper selection, use and maintenance of any ID products remains entirely to the purchaser.

Riproduzione vietata. Tutti i diritti riservati; nessuna parte del presente documento può essere riprodotta senza autorizzazione di ID Insert Deal Srl.
Reproduction forbidden. All rights reserved; the hereby document can't be reproduced, also partially, without the authorization of ID Insert Deal Srl.

PRESSURE REGULATOR_R300_EN_04



Azienda con sistema di gestione qualità certificato.
certificato N° 50 100 9191
Company with certificated quality management system.
certificate N° 50 100 9191