

Line laser, green, 520 nm, 90 °, 10 mW

LD520-10-24(20x80)-F800-CON
Order Number: 70139433

Main Parameters (*)	min	typ	max	Unit
Wavelength		520		nm
Optical Output Power		10		mW
Operating Voltage	20	24	26.4	V DC
Operating Current	50	55	150	mA
Operating Temperature	-20		50	°C
Storage Temperature	-40		80	°C

Main Data

Warranty 1 years

Technical Parameters

Lifetime > 10,000 h
RoHS yes

Optical Parameters

Beam Shape	Line
Laser Class	1
Divergence	D - 0.5 mrad
Fan Angle	90 °
Line Thickness	<1mm@0.8m
Operating Distance	0.8 m
Optics	glass lens AR coated
Laser technology	Single Mode Diode
Protection Lens	no
Focus	fixed (800mm)

Electrical Parameters

Potential of Housing isolated
Connector CON_7000-08331-0000000

Mechanical Parameters

Size	Ø20x80 mm
Material	aluminium
Cable length	100 mm
Wire type	22AWG, black, 3,6mm
Output Aperture	6 mm
Weight	68 g

(*) Over the complete operating temperature range

Features



- Operating Voltage 24 V DC
- Isolated housing
- Laser Class 1
- Compact size

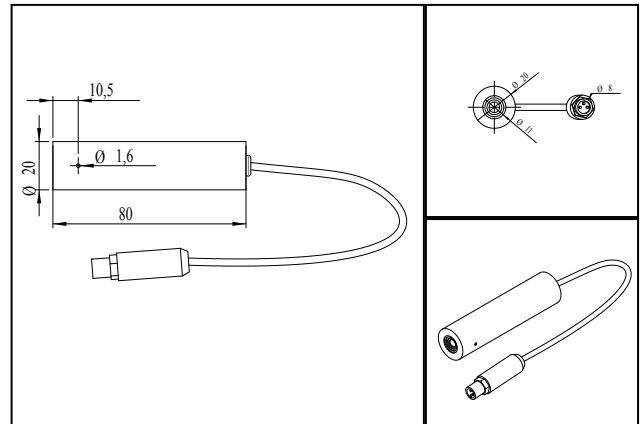
Picture



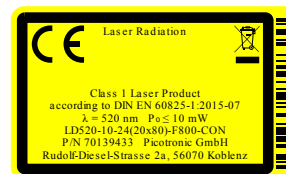
Cable color

Ground		black	GND
positive		white	20 - 26.4, typ 24 V DC

Drawing



Safety Label



Valid Revision

| 11-FEB-2021