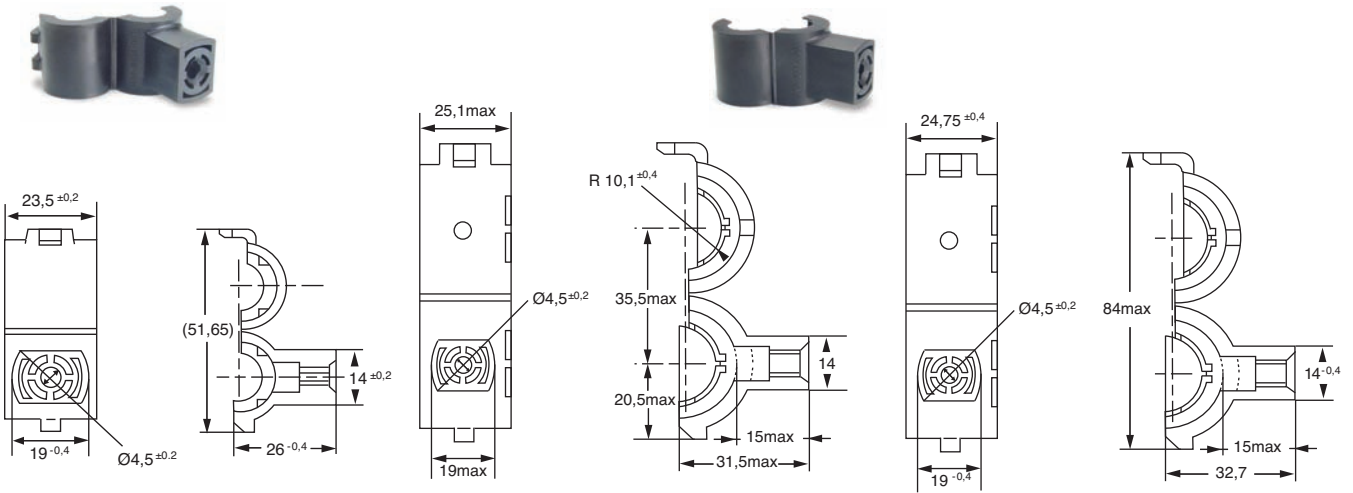


## Accessories Clip/Clamp

Clips/Clamps can be used as an extra lock to secure two connector halves. Due to its design it also offers the possibility for fixed mounting a mated pair by using a screw or a cable tie.

### Clamp

Clamps, plug and receptacle in mated condition



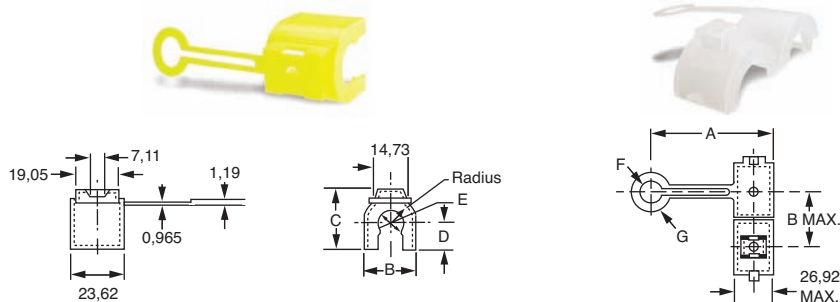
**2, 3, 4 Contacts**  
Order Ref. 029-8514-001

**5, 6, 7 Contacts**  
Order Ref. 029-8514-000

**8, 9, 10 Contacts**  
Order Ref. 029-8514-004

### Mounting Clip

Clamps, plug and receptacle in mated condition



**2, 3, 4 Contacts**

**5-10 Contacts**

Connector size	Color of clip	Order ref.	A max.	B	C	D	E Ø	F max.	G max.
2 contacts	Red	029-0263-000	-	22,61	25,40	10,67	10,7	-	-
3/4 contacts	Yellow	029-0262-000	-	23,62	26,67	11,43	12,19	-	-
5/6/7 contacts	Natural	026-0450-000	77,34	35,43	-	-	-	15,49	23,11
8/9/10 contacts	Black	026-0451-000	77,34	38,61	-	-	-	16,76	24,38