



4-conductor sensor supply terminal block; LED (green); for PNP (positive) switching sensors; with ground contact; Power supply from control panel side

Item No.: 2000-5457/1102-953



4-conductor sensor supply terminal block; LED (green); for PNP (positive) switching sensors; with ground contact; Power supply from control panel side

Marking

RoHS ✓
Compliant

Business data

| | |
|----------------------|--------------------|
| Supplier | WAGO |
| Item no. | 2000-5457/1102-953 |
| GTIN / EAN | 4055143533195 |
| Content | 1 |
| Order amount | 15 |
| Customer item number | |

Notes

Item description: 3.5 mm spacing per signal (2 x 3.5 mm = 7 mm) The double spacing per pole of this terminal block series maximizes connectivity. For example, ten sensors may be connected using only five sensor terminal blocks plus a power supply terminal block.

Technical data

Miscellaneous

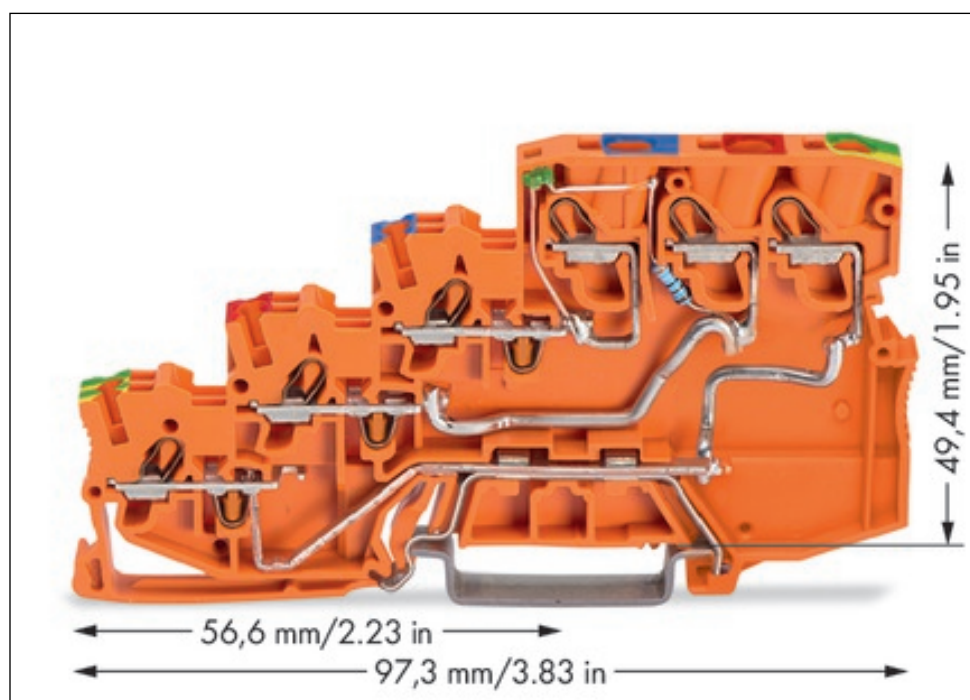
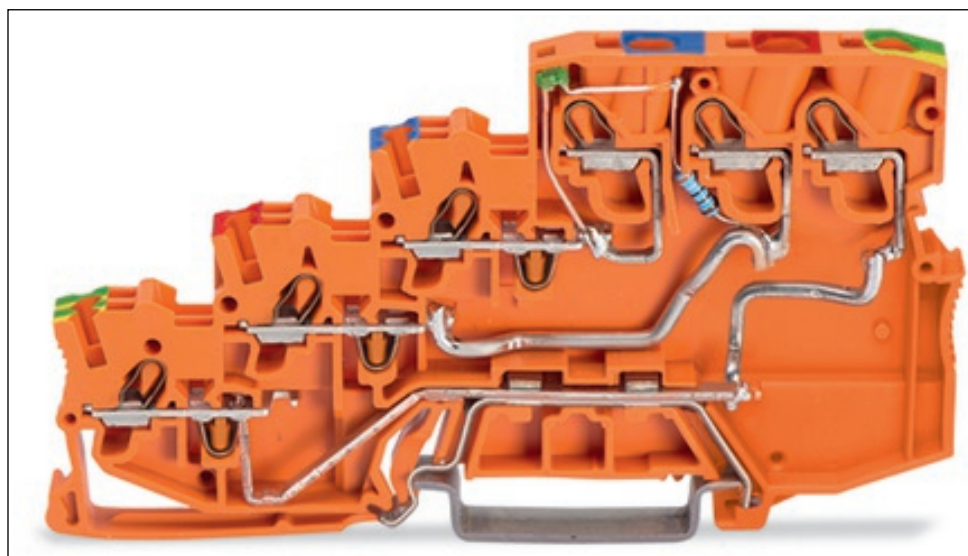
| | |
|----------------|------------------|
| Packaging type | BOX |
| Ratings per | IEC/EN 60947-7-1 |

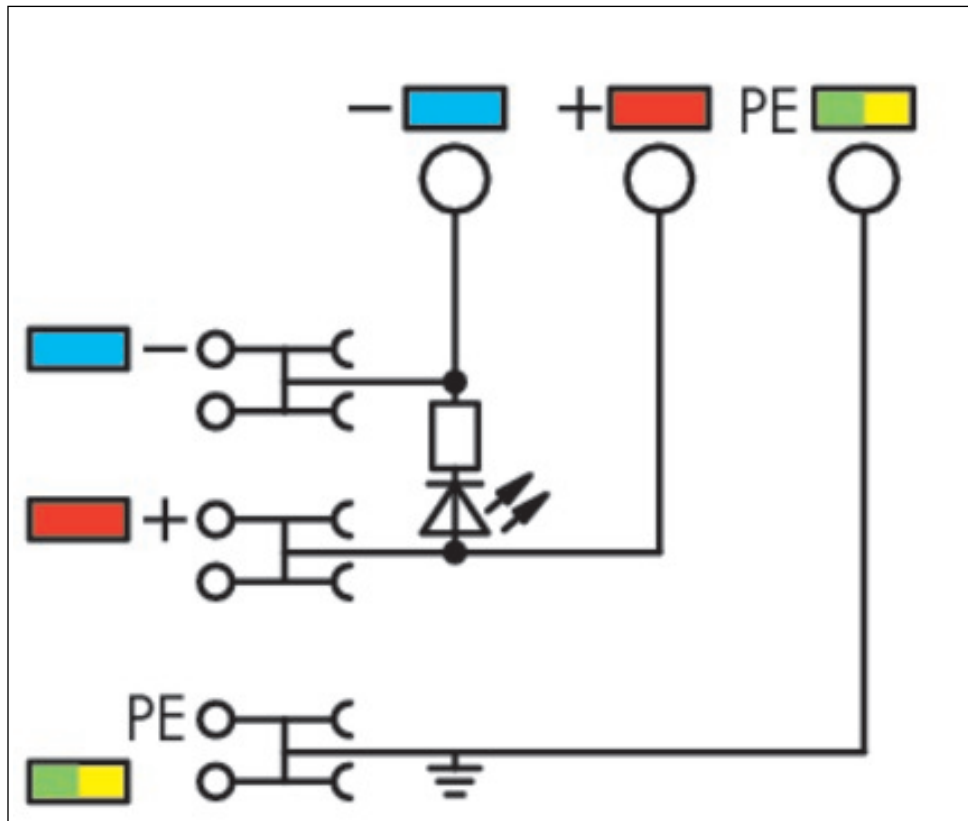
Printview: 4-conductor sensor supply terminal block; LED (green); for PNP (positive) switching sensors; with ground contact; Power supply from control panel side - Item No.: 2000-5457/1102-953

| Technical data | |
|---|--|
| <i>Rated voltage (III / 3) [V]</i> | 250 [V] |
| <i>Rated current [A]</i> | 28 [A] |
| <i>Legend (ratings)</i> | <i>(III / 3) Overvoltage category III / Pollution degree 3</i> |
| <i>Type of wiring</i> | <i>Front-entry wiring</i> |
| <i>Total number of connection points</i> | 8 |
| <i>Total number of potentials</i> | 3 |
| <i>Connection technology</i> | <i>Push-in CAGE CLAMP®</i> |
| <i>Number of connection points (connection type)</i> | 10 |
| <i>Actuation type</i> | <i>Push-in</i> |
| <i>Connectable conductor materials</i> | <i>Copper</i> |
| <i>Nominal cross section</i> | 1 mm ² |
| <i>Solid conductor</i> | 0.14 ... 1.5 mm ² / 24 ... 16 AWG |
| <i>Solid conductor, push-in termination</i> | 0.5 ... 1.5 mm ² / 20 ... 16 AWG |
| <i>Fine-stranded conductor</i> | 0.14 ... 1.5 mm ² / 24 ... 16 AWG |
| <i>Fine-stranded conductor with ferrule, push-in termination, f</i> | 0.5 mm ² / 20 AWG |
| <i>Strip length</i> | 9 ... 11 mm / 0.35 ... 0.43 Inch |
| <i>Solid conductor (2)</i> | 0.25 ... 4 mm ² / 22 ... 12 AWG |
| <i>Solid conductor, push-in termination (2)</i> | 0.25 ... 4 mm ² / 22 ... 12 AWG |
| <i>Fine-stranded conductor (2)</i> | 0.25 ... 4 mm ² / 22 ... 12 AWG |
| <i>Width</i> | 7 mm / 0.276 Inch |
| <i>Height from upper-edge of DIN-35 rail</i> | 49.4 mm / 1.945 Inch |
| <i>Design</i> | <i>horizontal</i> |
| <i>Type of mounting</i> | <i>Carrier rail 35 x 15</i> |
| <i>Marking level</i> | <i>Center/side marking</i> |
| <i>Color</i> | <i>orange</i> |
| <i>Insulating material</i> | <i>Polyamide 66 (PA 66)</i> |
| <i>Fire load [MJ]</i> | 0.357 [MJ] |
| <i>Weight [g]</i> | 24.265 [g] |

Printview: 4-conductor sensor supply terminal block; LED (green); for PNP (positive) switching sensors; with ground contact; Power supply from control panel side - Item No.: 2000-5457/1102-953

Images & drawings





Address

WAGO Kontakttechnik GmbH & Co. KG

Hansastr. 27

32423 Minden

Telefon: 0571/887-0

Fax: 0571/887-169

<http://www.wago.com>

© WAGO Kontakttechnik GmbH & Co. KG

Technische Änderungen und Irrtümer vorbehalten.