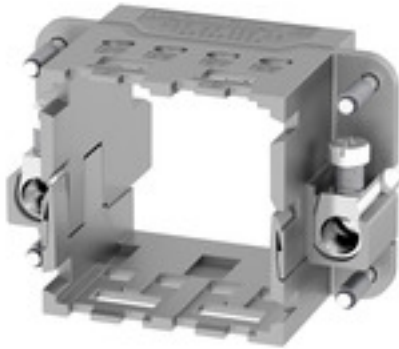


**ModuPlug
HDC MF 6B AB**

Weidmüller Interface GmbH & Co. KG
Klingenbergstraße 16
D-32758 Detmold
Germany
Fon: +49 5231 14-0
Fax: +49 5231 14-292083
www.weidmueller.com

**Simple**

The innovative sliding frame has two defined lock-in positions for opening and closing. This enables simple and tool-free module assembly.

General ordering data

Type	HDC MF 6B AB
Order No.	1428920000
Version	Frame
GTIN (EAN)	4050118233414
Qty.	1 pc(s).

**ModuPlug
HDC MF 6B AB**

Weidmüller Interface GmbH & Co. KG
 Klingenbergstraße 16
 D-32758 Detmold
 Germany
 Fon: +49 5231 14-0
 Fax: +49 5231 14-292083
 www.weidmueller.com

Technical data**Dimensions and weights**

Net weight	63.441 g
------------	----------

Temperatures

Limit temperature	-40 °C ... 125 °C
-------------------	-------------------

General data

Material	Diecast zinc	Number of slots	2
Plugging cycles	≥ 500	Series	ModuPlug
Size	3		

PE connection data

Conductor cross-section, max.	10 mm ²	Conductor cross-section, min.	0.5 mm ²
Connection type PE	Screw connection	Tightening torque, max. PE connection	1.2 Nm

Classifications

ETIM 5.0	EC002312	ETIM 6.0	EC002312
eClass 6.2	27-14-34-19	eClass 9.1	27-44-02-06

Product information

Descriptive text ordering data	2 module slots; double-sided PE screw connection: 0.5 - 10 mm ² (AWG 20 ... 8); prepared conductor in accordance with IEC 60999-1
Descriptive text technical data	Bei Einbau in IP65 Gehäuse muss die hohe Gehäuse-Bauform gewählt werden.

Approvals

Approvals

**Downloads**

Brochure/Catalogue	CAT 3 HDC 17/18 EN FL FIELDWIRING EN
Engineering Data	EPLAN

Data sheet

**ModuPlug
HDC MF 6B AB**

Weidmüller Interface GmbH & Co. KG
Klingenbergstraße 16
D-32758 Detmold
Germany
Fon: +49 5231 14-0
Fax: +49 5231 14-292083
www.weidmueller.com

Drawings

