

16

1634 02

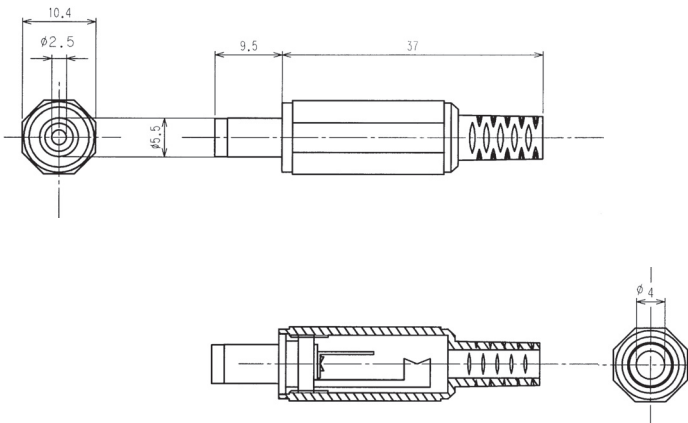
Power supply connectors



Power supply plug, straight version, with solder eyes and bend protection

16

1634 02



#### Environmental conditions

Temperature range -20 °C/+70 °C

#### Materials

Insulating body	PF
Contact	Cu alloy, nickel-plated
Insulation	POM
Housing	PE

#### Mechanical data

Outer diameter	5,5 mm
Inner diameter	2,5 mm

#### Connectable conductors for solder area

Cable diameter 4 mm

#### Electrical data (at T<sub>amb</sub> 20 °C)

Rated current	3 A
Rated voltage	24 V DC
Rated impulse voltage	500 V/60 s
Insulation resistance	≥ 100 MΩ

#### Associated products

Counterparts		
☞ 1610 05	☞ 1613 21	☞ 1614 10
☞ 1614 15	☞ 1614 20	☞ NEB/J 25
☞ NEB/J 25 C	☞ NEB/J 25 R	☞ NEK/J 250

16

1634 02

Designation	Pole Number	PU (Pieces)	MDQ (Pieces)
1634 02	2	100	500

**Packaging:**

in bulk, in a cardboard box or a plastic bag