

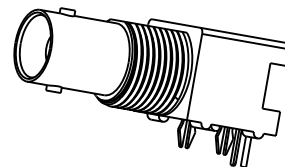
NOTES:

1. MATERIALS AND FINISHES:
 BODY - ZINC DIE CAST, NICKEL PLATING
 CONTACT - PHOSPHOR BRONZE, GOLD PLATING (.000003 THICK)
 @ CONTACT AREA ONLY, TIN PLATING AT TAIL, NICKEL PLATED OVERALL
 INSULATOR - POLYPROPYLENE
 HOUSING - PBTV 15% G.F., WHITE
 ROUND PIN - BRASS, TIN PLATING
 GROUNDING TERMINAL - STEEL, TIN PLATING
2. ELECTRICAL:
 A. IMPEDANCE: 75 OHM
 B. FREQUENCY RANGE: DC - 1 GHz
 C. DIELECTRIC WITHSTANDING VOLTAGE: 1500 VRMS, MIN.
3. MECHANICAL:
 A. DURABILITY: 500 CYCLES MIN.
 B. TEMPERATURE RANGE: -55° C TO 85° C
4. PACKAGING:
 A. PACKAGED IN PACKING TRAYS
 B. QUANTITY PER TRAY: 40
5. SEPERATELY SUPPLIED MOUNTNG HARDWARE TO BE TIGHTENED TO 10 IN-LBS MIN/15 IN-LBS MAX WHEN ASSEMBLING TO PANEL

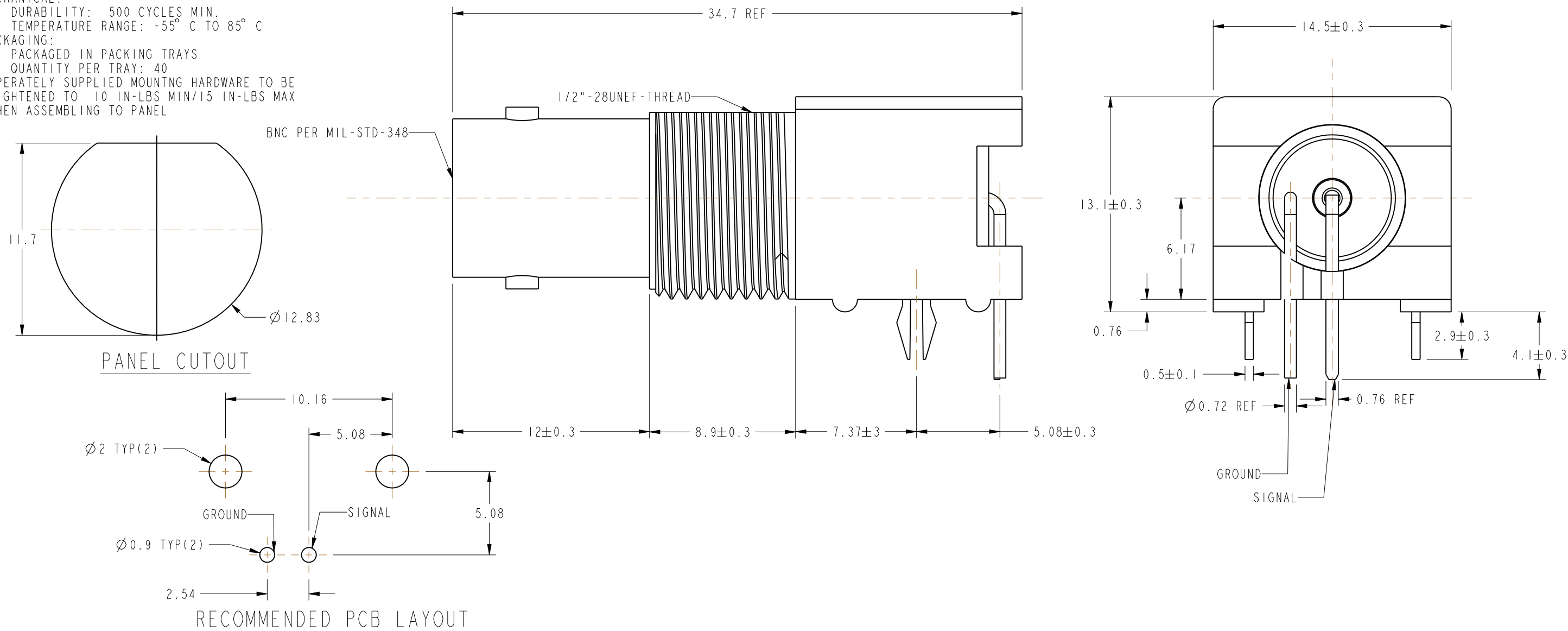
THIRD ANGLE PROJ.

REVISIONS

| REV | DESCRIPTION | DATE | ECO | APPR |
|-----|-----------------|----------|-------|------|
| AA | RELEASE TO MFG. | 12/10/12 | 49031 | EW |



SCALE 1.000



CUSTOMER OUTLINE DRAWING

ALL OTHER SHEETS ARE FOR INTERNAL USE ONLY

UNLESS OTHERWISE SPECIFIED, DIMENSIONS ARE IN METRIC AND TOLERANCES ARE:
 <0.5mm ±0.05mm 0.5 - 6mm ±0.1mm 6 - 30mm ±0.2mm 30 - 120mm ±0.3mm ANGLES ±1°

NOTICE - These drawings, specifications, or other data (1) are, and remain the property of Amphenol corp. (2) must be returned upon request; and (3) are confidential and not to be disclosed to any person other than those to whom they are given by Amphenol Corp. the finishing of these drawings, specifications, or other data by Amphenol Corp., or to any other person to anyone for any purpose is not to be regarded by implication or otherwise in any manner licensing, granting rights to permitting such holder or any other sperson to manufacture, use or sell any product, process or design, patented or otherwise, that may in any way be related to or disclosed by said drawings, specifications, or other data.

| | |
|----------------------|------------|
| MATERIAL | - |
| REFERENCE | APPROVED |
| CONFIGURATION LEVEL: | K. CAPOZZI |
| FINISH | CAD FILE |

| | |
|--------------|-----------|
| DRAWN | DATE |
| ERIC WANKOFF | 26-Jun-12 |
| ENGINEER | DATE |
| ERIC WANKOFF | 26-Jun-12 |
| APPROVED | DATE |
| K. CAPOZZI | 12/10/12 |
| CAD FILE | |

| | |
|----------|---|
| TITLE | 75 OHM BNC R/A JACK, ISOLATED LOW PROFILE |
| SCALE: | 4.0:1.0 |
| SHEET | 2 OF 2 |
| DWG SIZE | B |
| REV | AA |

| |
|---------------------------|
| Amphenol RF |
| www.amphenolrf.com |
| DRAWING NO. 31-71052-1010 |
| ITEM NO. 31-71052-1010 |
| PART NO. 31-71052-1010 |