

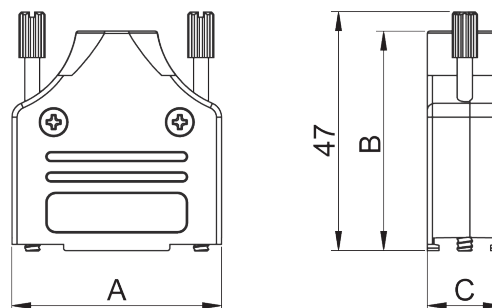
## TECHNICAL SPECIFICATIONS

**D-Sub Hood:**

Material:	Zinc, Nickel Plated
Operating Temperature:	-40°C to +120°C
Cable Entry:	Top Entry
Thumbscrews:	UNC 4-40 (Standard)
Cable O.D.:	Up to 13mm

**Female D-Sub Solder Cup:**

Insulator:	PBT, Black, UL94 V-0
Shell:	Steel, Tin Plated
Contact pins:	Copper Alloy
Stamped & Formed Pins	Class 3, 100 inserts min.
Machined Contact Pins:	Class 1, 500 inserts min.
Contact Plating:	Selective Gold over Nickel
Operating Temperature:	-55°C to +105°C
Withstanding voltage:	1000V for 1 minute
Insulator resistance:	1000MΩ min
Insulator resistance:	1000MΩ min



D-Sub-Hood

**Features:**

- Available in sizes 9-15-25-37
- 360° EMI Shielding
- Quick assembly
- Supports all types of cables
- Suitable for any common D-Sub connector

Size MHDM	Dim A	Dim B	Dim C
9-way	32,2	41,3	15,4
15-way	40,6	43,3	15,4
25-way	54,5	49,5	15,4
37-way	70,7	54,3	15,4

**Ordering information:****Class 3 D-Sub Connector Kits (100 inserts min.)**

Size:	P/N - Kitted:	Product Code - FEMALE Conn. Kit
9-way	6355-0005-11	MHDM-09-DBS-K
15-way	6355-0005-12	MHDM-15-DBS-K
25-way	6355-0005-13	MHDM-25-DBS-K
37-way	6355-0005-14	MHDM-37-DBS-K

**Ordering information:****Class 1 D-Sub Connector Kits (500 inserts min.)**

Size:	P/N - Kitted:	Product Code - FEMALE Conn. Kit
9-way	6355-0006-11	MHDM-09-DMS-K
15-way	6355-0006-12	MHDM-15-DMS-K
25-way	6355-0006-13	MHDM-25-DMS-K
37-way	6355-0006-14	MHDM-37-DMS-K