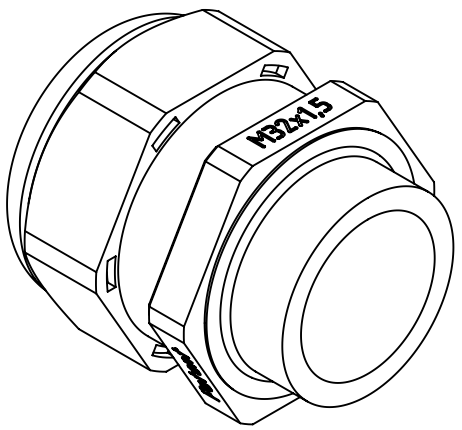
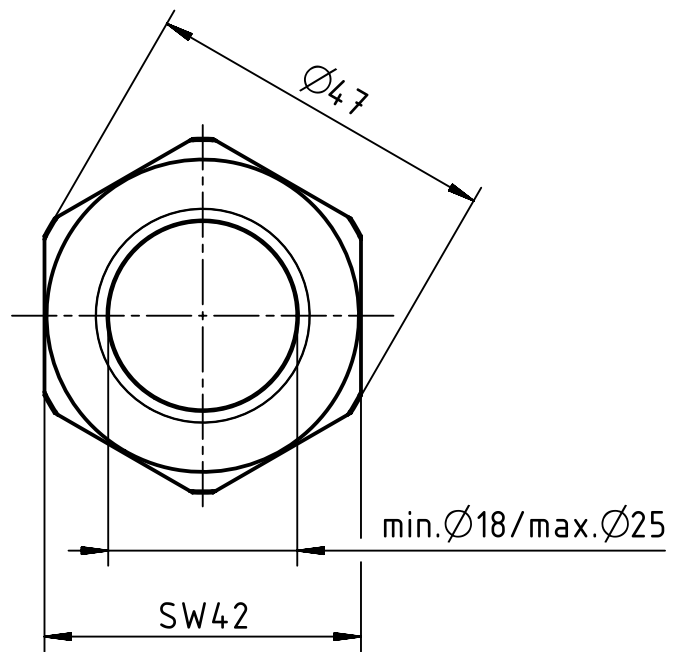
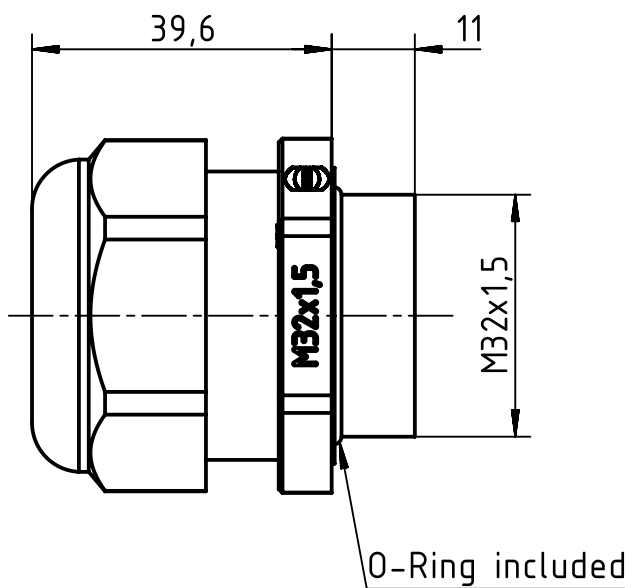


A

B

C

D



	All rights reserved Department EL PD - DE	All Dimensions in mm Original Size DIN A4		Scale 1:1	Free size tol.	Ref.
		HARTING Electric GmbH & Co. KG D-32339 Espelkamp	Created by LONGL	Inspected by DINGB	Standardisation TIEMANNA	Date 2016-03-04
Title Han CGM-P M32x1,5 D.18-25mm black						Doc-Key / ECM-Nr. 100644450/UGD/001/B 500000100783
Type TB				Number 19 00 000 5187		Rev. B
						Page 1/1