

Relay Module - AXL SE DOR2 W 230



1105562

<https://www.phoenixcontact.com/pc/products/1105562>

Please be informed that the data shown in this PDF document is generated from our Online Catalog. Please find the complete data in the user documentation. Our General Terms of Use for Downloads are valid.



Axioline Smart Elements, Relay module, Relay outputs: 2 (floating), Changeover contact, 220 V DC, 230 V AC, degree of protection: IP20

Product Description

You can integrate Axioline Smart Elements into systems with the Smart Element interface. This Smart Element has two relay changeover contacts that are independent of each other and floating. You can install low-voltage and extra-low-voltage modules directly next to each other on one Axioline F backplane.

Your advantages

- 2 mono-stable relays
- Floating connections for 2 actuators
- Nominal current per output: 6 A
- Total Smart Element current: 2 x 6 A
- Device rating plate stored

Commercial Data

Item number	1105562
Packing unit	1 pc
Minimum order quantity	1 pc
Product Key	DRIB34
GTIN	4055626989013
Weight per Piece (including packing)	42.95 g
Weight per Piece (excluding packing)	42.95 g
Customs tariff number	85364900
Country of origin	DE

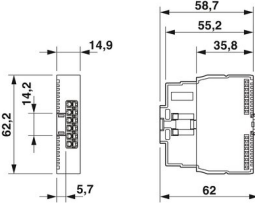
Relay Module - AXL SE DOR2 W 230

1105562

<https://www.phoenixcontact.com/pc/products/1105562>

Technical Data

Dimensions

Dimensional drawing	
Width	14.9 mm
Height	62.2 mm
Depth	62 mm

Notes

Utilization restriction

EMC note	EMC: class A product, see manufacturer's declaration in the download area
----------	---

Material specifications

Color	traffic grey A RAL 7042
-------	-------------------------

Interfaces

Smart Element interface

Number of interfaces	1
Connection method	Card edge connector
Transmission speed	See system in which you use the Smart Element.
Start time until ready to operate	< 500 ms

System properties

Module

ID code (hex)	none
Process data channel	8 Bit
Input address area	0 Byte
Output address area	1 Byte
Required parameter data	9 Byte
Required configuration data	6 Byte

Output data

Relay

Number of outputs	2 (floating)
Connection method	Push-in connection

Relay Module - AXL SE DOR2 W 230



1105562

<https://www.phoenixcontact.com/pc/products/1105562>

Connection technology	2-conductor
Contact type	Changeover contact
Switching current	max. 6 A (up to 250 V AC, $\cos \phi = 0.75 \dots 0.8$) max. 6 A (up to 30 V DC, N/O contact, general use) max. 3 A (up to 30 V DC, N/C contact, general use) max. 580 mA (at 48 V DC) max. 250 mA (at 110 V DC) max. 125 mA (at 220 V DC) max. 220 mA DC (125 V DC, L/R ≤ 50 ms) max. 110 mA DC (250 V DC, L/R ≤ 50 ms)
Switching capacity	max. 1500 VA (AC applications up to 55°C, observe derating above that) max. 180 W (up to 30 V DC, N/O contact, general use) max. 90 W (up to 30 V DC, N/C contact, general use) max. 28 W (above 30 V DC) For further DC values, see DC load limit curve.
Switching capacity according to IEC 60947-5-1	3 A (24 V (AC15)) 3 A (120 V (AC15)) 3 A (230 V (AC15)) 2 A (24 V (DC13), L/R = 100 ms) 0.2 A (110 V (DC13), L/R = 44 ms) 0.1 A (220 V (DC13), L/R = 44 ms)
Switching capacity in accordance with UL/CSA 61010-2-201	5 A (AC, B300, up to max. 55°C) 1 A (DC, R300, up to max. 60°C)
Switching frequency	max. 6 (per minute)
Mechanical service life	20x 10 ⁶ cycles

Product properties

Type	modular
Product type	I/O component
Mounting position	See the system in which the Smart Element is used.

Insulation characteristics

Overvoltage category	III (EN 61010-2-201/IEC 61010-2-201)
Pollution degree	2 (IEC 60664-1, EN 60664-1)

Electrical properties

Potentials: Communications power supply of the Smart Elements (U_{SE})

Supply voltage	using card edge connectors
----------------	----------------------------

Potentials: I/O supply (U_P)

Supply voltage	24 V DC (using card edge connectors)
Supply voltage range	19.2 V DC ... 30 V DC (including all tolerances, including ripple)
Current draw	typ. 36 mA (18 mA per relay, all contacts floating)

Relay Module - AXL SE DOR2 W 230



1105562

<https://www.phoenixcontact.com/pc/products/1105562>

Protective circuit	Surge protection; See the system in which the Smart Element is used.
	Reverse polarity protection; parallel diode

Connection data

Connection technology

Connection name	I/O
Note on the connection method	Please observe the information provided on conductor cross sections in the "AxioLine Smart Elements" user manual.
	When selecting the cables, observe the permissible operating temperature in accordance with IEC or UL.

Conductor connection

Connection method	Push-in connection
Conductor cross section solid	0.25 mm ² ... 1.5 mm ²
Conductor cross section flexible	0.25 mm ² ... 1.5 mm ²
Conductor cross section AWG	24 ... 16
Conductor cross section flexible, with ferrule without plastic sleeve	0.25 mm ² ... 1.5 mm ²
Conductor cross section, flexible, with ferrule, with plastic sleeve	0.25 mm ² ... 1.5 mm ²
Stripping length	8 mm

I/O

Connection method	Push-in connection
Note on the connection method	Please observe the information provided on conductor cross sections in the "AxioLine Smart Elements" user manual.
	When selecting the cables, observe the permissible operating temperature in accordance with IEC or UL.
Conductor cross section, rigid	0.25 mm ² ... 1.5 mm ²
Conductor cross section, flexible	0.25 mm ² ... 1.5 mm ²
Conductor cross section AWG	24 ... 16
Conductor cross section, flexible, with ferrule, with plastic sleeve	0.25 mm ² ... 1.5 mm ²
Conductor cross section flexible, with ferrule without plastic sleeve	0.25 mm ² ... 1.5 mm ²
Stripping length	8 mm

Ambient conditions

Ambient temperature (operation)	-25 °C ... 60 °C
Degree of protection	IP20
Air pressure (operation)	80 kPa ... 106 kPa
Air pressure (storage/transport)	70 kPa ... 106 kPa (up to 3000 m above sea level)
Ambient temperature (storage/transport)	-40 °C ... 85 °C
Permissible humidity (operation)	5 % ... 95 % (non-condensing)
Permissible humidity (storage/transport)	5 % ... 95 % (non-condensing)

Mounting

Mounting type	Smart Element slot
---------------	--------------------

Relay Module - AXL SE DOR2 W 230



1105562

<https://www.phoenixcontact.com/pc/products/1105562>

Mounting position

See the system in which the Smart Element is used.

Relay Module - AXL SE DOR2 W 230

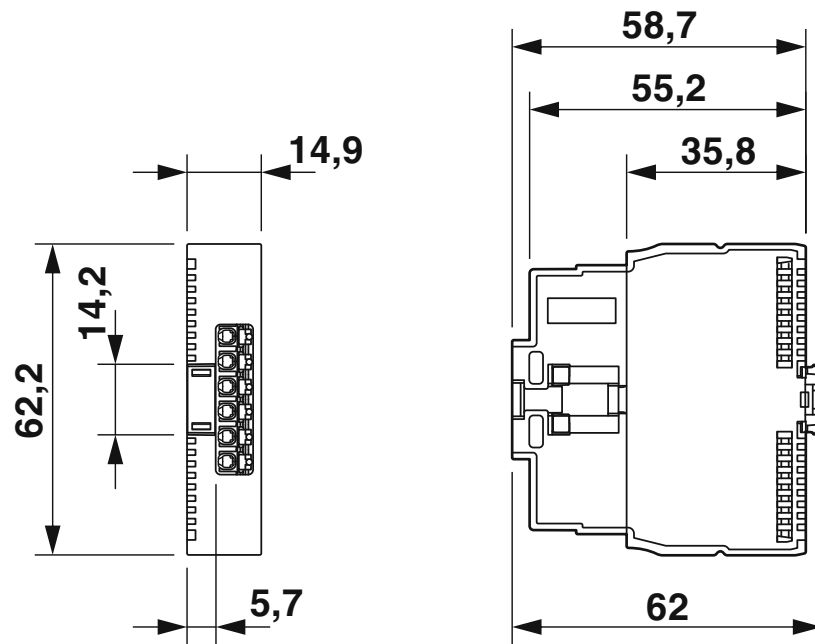
1105562

<https://www.phoenixcontact.com/pc/products/1105562>



Drawings

Dimensional drawing



Dimensions

Relay Module - AXL SE DOR2 W 230



1105562

<https://www.phoenixcontact.com/pc/products/1105562>

Approvals



UL Listed

Approval ID: FILE E 238705

Relay Module - AXL SE DOR2 W 230



1105562

<https://www.phoenixcontact.com/pc/products/1105562>

Classifications

ECLASS

ECLASS-9.0	27242604
ECLASS-10.0.1	27242604
ECLASS-11.0	27242604

ETIM

ETIM 8.0	EC001599
----------	----------

UNSPSC

UNSPSC 21.0	32151600
-------------	----------

Relay Module - AXL SE DOR2 W 230



1105562

<https://www.phoenixcontact.com/pc/products/1105562>

Environmental Product Compliance

REACH SVHC	Lead 7439-92-1
China RoHS	Environmentally Friendly Use Period = 50 years
	For information on hazardous substances, refer to the manufacturer's declaration available under "Downloads"

Relay Module - AXL SE DOR2 W 230

1105562

<https://www.phoenixcontact.com/pc/products/1105562>

Mandatory Accessories

Module carrier

Module carrier - AXL F BP SE4 - 1088135

<https://www.phoenixcontact.com/pc/products/1088135>

Axioline F, Backplane, 4 slots for Axioline Smart Elements, transmission speed in the local bus: 100 Mbps, degree of protection: IP20



Module carrier

Module carrier - AXL F BP SE6 - 1088136

<https://www.phoenixcontact.com/pc/products/1088136>

Axioline F, Backplane, 6 slots for Axioline Smart Elements, transmission speed in the local bus: 100 Mbps, degree of protection: IP20



Accessories

Relay Module - AXL SE DOR2 W 230

1105562

<https://www.phoenixcontact.com/pc/products/1105562>

Screwdriver

Screwdriver - SZS 0,4X2,5 VDE - 1205037

<https://www.phoenixcontact.com/pc/products/1205037>



Screwdriver, slot-headed, VDE insulated, size: 0.4 x 2.5 x 80 mm, 2-component grip, with non-slip grip

Crimping pliers

Crimping pliers - CRIMPFOX 6 - 1212034

<https://www.phoenixcontact.com/pc/products/1212034>



Crimping pliers, for ferrules without insulating collar according to DIN 46228 Part 1 and ferrules with insulating collar according to DIN 46228 Part 4, 0.25 mm² ... 6.0 mm², lateral entry, trapezoidal crimp

Relay Module - AXL SE DOR2 W 230

1105562

<https://www.phoenixcontact.com/pc/products/1105562>

Crimping pliers

Crimping pliers - CRIMPFOX DUO 10 - 1031721

<https://www.phoenixcontact.com/pc/products/1031721>



Crimping pliers, type of contact: Insulated and uninsulated ferrules, min. cross section: 0.14 mm^2 , max. cross section: 10 mm^2 , for TWIN ferrules up to $2 \times 4 \text{ mm}^2$, automatic cross section adjustment, rotating die, lateral and frontal insertion, compression: Trapezoidal crimp, black/green

Crimping pliers

Crimping pliers - CRIMPFOX 10T-F - 1134913

<https://www.phoenixcontact.com/pc/products/1134913>



Crimping pliers, type of contact: Insulated and uninsulated ferrules, standards/specifications: DIN 46228-1, DIN 46228-4, min. cross section: 0.14 mm^2 , max. cross section: 10 mm^2 , For TWIN ferrules up to $2 \times 4 \text{ mm}^2$, automatic cross section adjustment, frontal insertion, compression: Trapezoidal crimp, black

Relay Module - AXL SE DOR2 W 230

1105562

<https://www.phoenixcontact.com/pc/products/1105562>

Label

Label - MM-TML (EX4,2)R C1 TR/BK - 0803979

<https://www.phoenixcontact.com/pc/products/0803979>



Label, Roll, transparent, unlabeled, can be labeled with: THERMOFOX, THERMOMARK GO, THERMOMARK GO.K, mounting type: adhesive, for terminal block width: 8000 mm, lettering field size: continuous x 3.2 mm

Marker strip

Marker strip - SK 5,0 WH:REEL - 0805221

<https://www.phoenixcontact.com/pc/products/0805221>



Marker strip, Roll, white, unlabeled, can be labeled with: THERMOMARK ROLL 2.0, THERMOMARK ROLL, THERMOMARK ROLL X1, THERMOMARK ROLLMASTER 300/600, THERMOMARK X1.2, mounting type: adhesive, for terminal block width: 5 mm, lettering field size: continuous x 5 mm, Number of individual labels: 90000

Relay Module - AXL SE DOR2 W 230



1105562

<https://www.phoenixcontact.com/pc/products/1105562>

Marker for terminal blocks

Marker for terminal blocks - UM6M-TM (5X12) - 0830928

<https://www.phoenixcontact.com/pc/products/0830928>

Markers for marking terminal blocks from ABB/Entelec, 24-section, unmarked, can be marked with THERMOMARK CARD and BLUEMARK, color: white



Marker for terminal blocks from the SNK series from ABB

Marker for terminal blocks from the SNK series from ABB - UCT6M-TM 5 - 0830756

<https://www.phoenixcontact.com/pc/products/0830756>

Marker for terminal blocks from the SNK series from ABB, Sheet, white, unlabeled, can be labeled with: THERMOMARK CARD, THERMOMARK CARD 2.0, THERMOMARK PRIME, BLUEMARK ID, BLUEMARK ID COLOR, TOPMARK LASER, TOPMARK NEO, mounting type: snapped, for terminal block width: 5.2 mm, lettering field size: 4.17 x 11.3 mm



Phoenix Contact 2022 © - all rights reserved

<https://www.phoenixcontact.com>

PHOENIX CONTACT GmbH & Co. KG

Flachsmarktstraße 8

D-32825 Blomberg

+49 (0) 5235-3 00

info@phoenixcontact.com