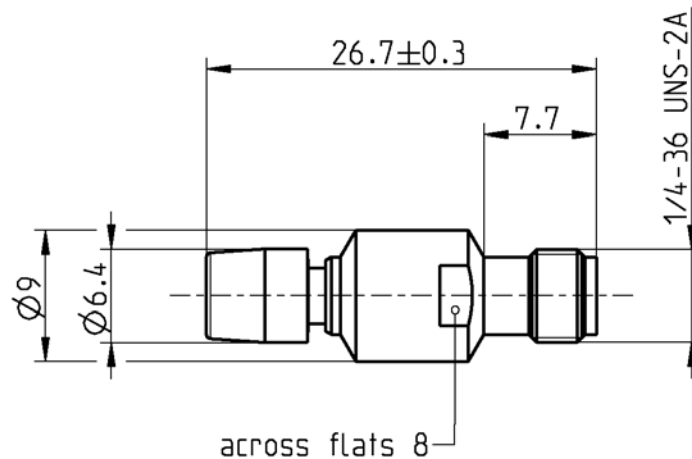


ADAPTOR
SMB JACK – SMA JACK

59K132-K00L5



All dimensions are in mm; tolerances according to ISO 2768 m-H

Interface

According to	SMB side:	IEC 60169-10, CECC 22130, US MIL-C-39012
	SMA side:	IEC 60169-15; EN 122110; MIL-STD-348A, Fig. 310

Documents

N/A

Material and plating

Connector parts	Material	Plating
Center contact	Beryllium copper	AuroDur, gold plated
Outer contact SMB side	Beryllium copper	AuroDur, gold plated
Outer contact SMA side	Beryllium copper or equivalent	AuroDur, gold plated
Dielectric	PTFE	

RF_35/12.04/3.0

ADAPTOR
SMB JACK – SMA JACK

59K132-K00L5

Electrical data

Impedance	50 Ω
Frequency	DC to 4 GHz
Return loss	≥ 35 dB, DC to 1 GHz ≥ 27 dB, 1 to 4 GHz
Insertion loss	≤ 0.05 x √f(GHz) dB
Insulation resistance	≥ 1x10 ³ MΩ
Center contact resistance	≤ 5 mΩ, SMB side ≤ 3 mΩ, SMA side
Outer contact resistance	≤ 2.5 mΩ, SMB side ≤ 2 mΩ, SMA side
Test voltage	750 V rms, 50 Hz, at sea level
Working voltage	≤ 250 V rms, 50 Hz, at sea level
Contact current	1.5 A DC typ.
RF-leakage	≥ 55 dB up to 1 GHz

Mechanical data

	SMB side	SMA side
Mating cycles	min. 500	min. 500
Coupling test torque	N/A	max. 1.7 Nm
Recommended torque	N/A	0.8 Nm to 1.1 Nm
Center contact captivation: axial	≥ 10 N	≥ 10 N
Engagement force	≤ 63 N	N/A
Disengagement force	8 N min. to 63 N max.	N/A

Environmental data

Temperature range	-55°C to +155°C
Thermal shock	MIL-STD-202, Meth. 107, Cond. B
Vibration	MIL-STD-202, Meth. 204, Cond. B
Corrosion	MIL-STD-202, Meth. 101, Cond. B
Moisture resistance 2002/95/EC (RoHS)	MIL-STD-202, Meth. 106 compliant

Tooling

N/A

Suitable cables

N/A

Packing

Standard	1 pce in bag
Weight	5.9 g/pce

While the information has been carefully compiled to the best of our knowledge, nothing is intended as representation or warranty on our part and no statement herein shall be construed as recommendation to infringe existing patents. In the effort to improve our products, we reserve the right to make changes judged to be necessary.

Draft	Date	Approved	Date	Rev.	Engineering change number	Name	Date
Inge Mühlauer	14/12/04	A.König	29.06.07	a00	07-0154	S.Kra.	29.06.07
Rosenberger Hochfrequenztechnik GmbH & Co. KG P.O.Box 1260 D-84526 Tittmoning Germany www.rosenberger.de					Tel.: +49 8684 18-0 Fax: +49 8684 18-499 email: info@rosenberger.de		Page 2 / 2