

- 1
- 2
- 3
- 4
- 5
- 6
- 7
- 8
- 9
- 10
- 11
- 12
- 13
- 14
- 15
- 16
- 17
- 18

**MATERIAL**

Aluminium.

**GRUB SCREWS**

AlSI 304 stainless steel with hexagon socket.

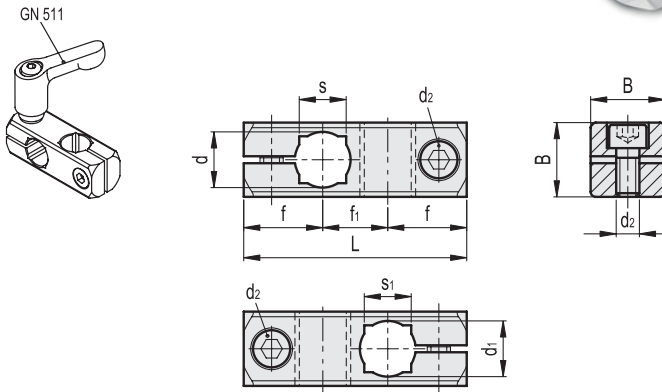
**STANDARD EXECUTIONS**

- **MSM-C-ANB**: anodised aluminium, black colour.
- **MSM-C-MT**: natural aluminium, matte finish.

**KEY TO TABLE DIMENSIONS**

d, d1 = holes diameters for shaft tolerance h11.

d2=clamping screws which can be replaced with clamping kit type GN 511 (see page 924).



**MSM-C-ANB**

Code	Description	d	d1	d2	L	B	f	f1	s	s1	d1 Clamping kit	⚖
500051	MSM-C-8-8-ANB	8	8	M4	37	14	13.5	10	-	-	GN 511-M4-14	16
500054	MSM-C-10-8-ANB	10	8	M5	46	16	17	12	8	-	GN 511-M5-16	27
500055	MSM-C-10-10-ANB	10	10	M5	46	16	17	12	8	8	GN 511-M5-16	25
500058	MSM-C-12-8-ANB	12	8	M5	48	16	17	14	10	-	GN 511-M5-16	27
500059	MSM-C-12-12-ANB	12	12	M5	48	16	17	14	10	10	GN 511-M5-16	24
500075	MSM-C-15-10-ANB	15	10	M6	58	20	20.5	17	12	8	GN 511-M6-20	51
500062	MSM-C-15-12-ANB	15	12	M6	58	20	20.5	17	12	10	GN 511-M6-20	49
500063	MSM-C-15-15-ANB	15	15	M6	58	20	20.5	17	12	12	GN 511-M6-20	44
500066	MSM-C-16-12-ANB	16	12	M6	59	20	20.5	18	-	10	GN 511-M6-20	49
500067	MSM-C-16-16-ANB	16	16	M6	59	20	20.5	18	-	-	GN 511-M6-20	43
500079	MSM-C-20-15-ANB	20	15	M6	65	25	21.5	22	16	12	GN 511-M6-25	80
500070	MSM-C-20-16-ANB	20	16	M6	65	25	21.5	22	16	-	GN 511-M6-25	76
500071	MSM-C-20-20-ANB	20	20	M6	65	25	21.5	22	16	16	GN 511-M6-25	67

**MSM-C-MT**

Code	Description	d	d1	d2	L	B	f	f1	s	s1	d1 Clamping kit	⚖
500053	MSM-C-8-8-MT	8	8	M4	37	14	13.5	10	-	-	GN 511-M4-14	16
500056	MSM-C-10-8-MT	10	8	M5	46	16	17	12	8	-	GN 511-M5-16	26
500057	MSM-C-10-10-MT	10	10	M5	46	16	17	12	8	8	GN 511-M5-16	25
500060	MSM-C-12-8-MT	12	8	M5	48	16	17	14	10	-	GN 511-M5-16	10
500061	MSM-C-12-12-MT	12	12	M5	48	16	17	14	10	10	GN 511-M5-16	23
500077	MSM-C-15-10-MT	15	10	M6	58	20	20.5	17	12	8	GN 511-M6-20	49
500064	MSM-C-15-12-MT	15	12	M6	58	20	20.5	17	12	10	GN 511-M6-20	47
500065	MSM-C-15-15-MT	15	15	M6	58	20	20.5	17	12	12	GN 511-M6-20	44
500068	MSM-C-16-12-MT	16	12	M6	59	20	20.5	18	-	10	GN 511-M6-20	47
500069	MSM-C-16-16-MT	16	16	M6	59	20	20.5	18	-	-	GN 511-M6-20	43
500081	MSM-C-20-15-MT	20	15	M6	65	25	21.5	22	16	12	GN 511-M6-25	47
500072	MSM-C-20-16-MT	20	16	M6	65	25	21.5	22	16	-	GN 511-M6-25	76
500073	MSM-C-20-20-MT	20	20	M6	65	25	21.5	22	16	16	GN 511-M6-25	67

Levelling feet and supports