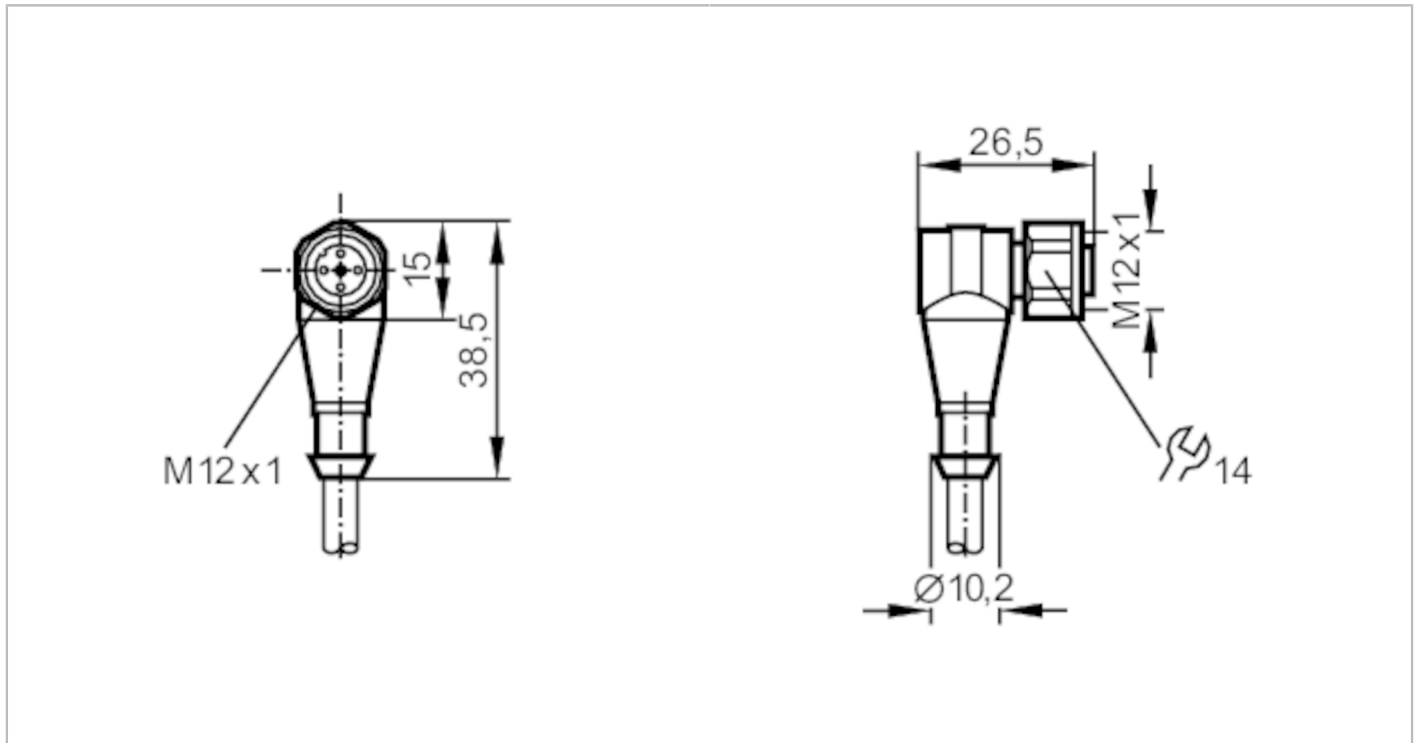


E12456



Connecting cable with socket

ADOAH080VAS0003G08



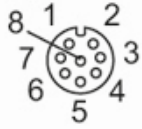
Application	
Special feature	Screened cable
Electrical data	
Operating voltage [V]	< 30 AC / < 36 DC
Protection class	III
Operating conditions	
Ambient temperature [°C]	-25...80
Protection	IP 67
Mechanical data	
Weight [g]	243.2
Dimensions [mm]	26.5 x 15 x 38.5
Materials	PVC
Material nut	stainless steel
Remarks	
Notes	For 8-pole sockets the core colours are not standardised.; Please note the wiring of the sensor and the sockets (see data sheet).
Pack quantity	1 pcs.
Electrical connection	
Cable: 3 m, PVC, orange, Ø 6.6 mm, shielded; 8 x 0.25 mm ² (14 x Ø 0.15 mm)	
Electrical connection - socket	
Connector: 1 x M12, angled; Moulded body: PVC; Locking: stainless steel; Tightening torque: 0.7...0.9 Nm; Shielded connection cable: screen connected	

E12456



Connecting cable with socket

ADOAH080VAS0003G08



Connection



colours to DIN 47100

Core colours :

BN =	brown
BU =	blue
GN =	green
GY =	grey
PK =	pink
RD =	red
WH =	white
YE =	yellow
screen =	screen