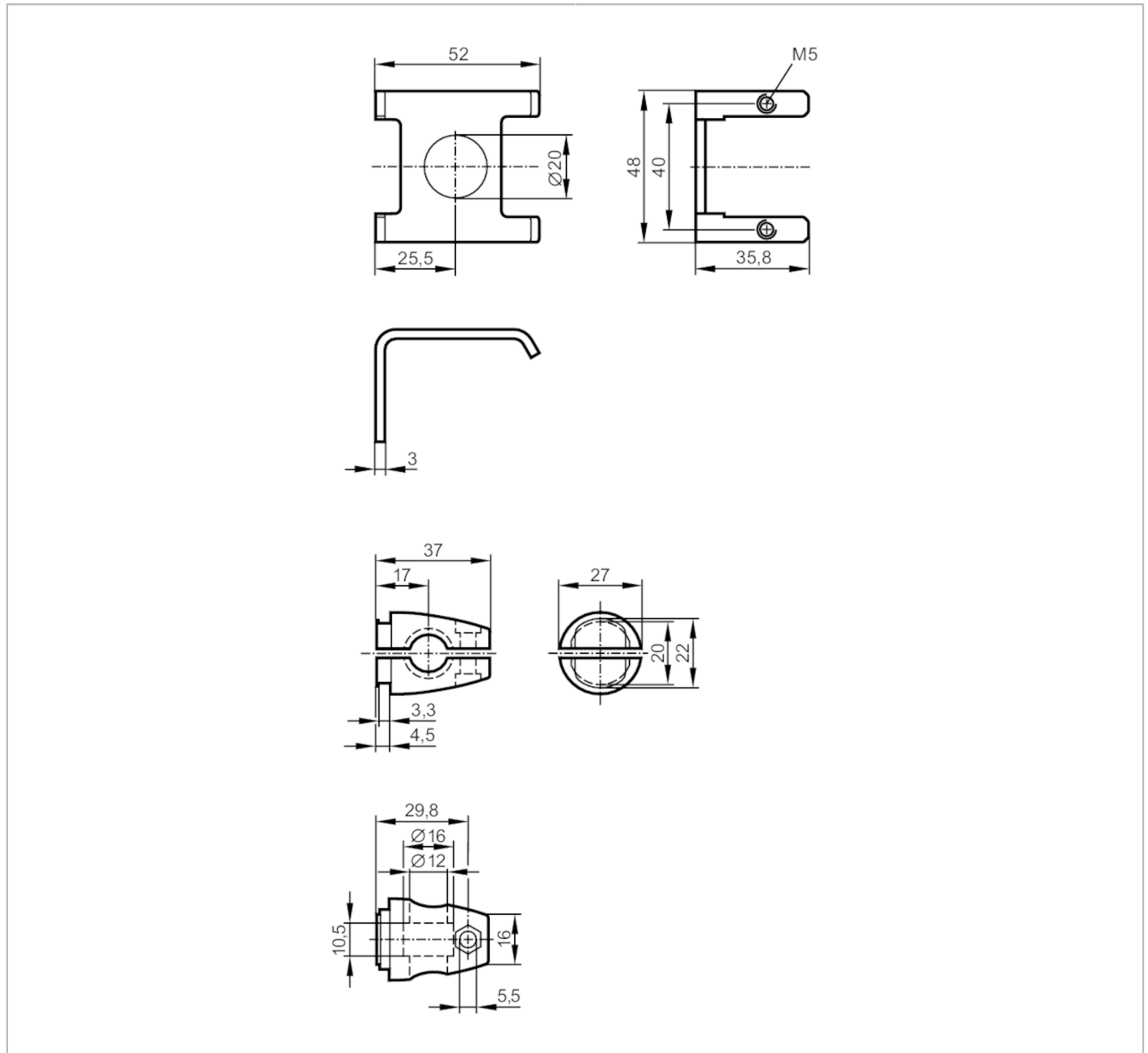




Mounting set for photoelectric sensors

O4 MOUNTING BRACKET 200



Application	
Design	clamp mounting
Mechanical data	
Weight [g]	131
Type of mounting	Mounting rod; (Ø 12 mm)
Materials	stainless steel (1.4404 / 316L); Clamp: diecast zinc
Accessories	
Accessories (supplied)	cylinder screws: 2 x M5 x 10
	nut: 1 x M5
	head cap screw: 1 x M5 x 16
Remarks	
Pack quantity	1 pcs.