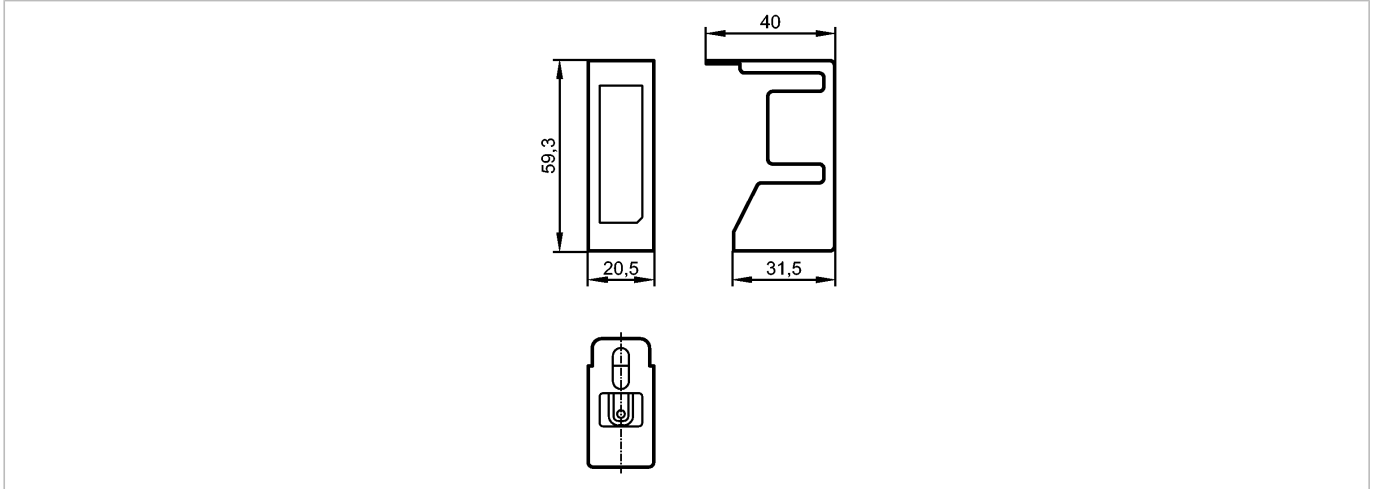


WELDING PROTECTION O5 STANDARD

Accessories



Product characteristics

Protective bracket

O5

Mechanical data

Design

for types O5

Housing materials

fixing ring: stainless steel (304S15); window: PMMA

Weight

[kg]

0.043

Remarks

Remarks

Please use the article E21284 for O5Dxxx and O5H7xx.

Pack quantity

[piece]

1