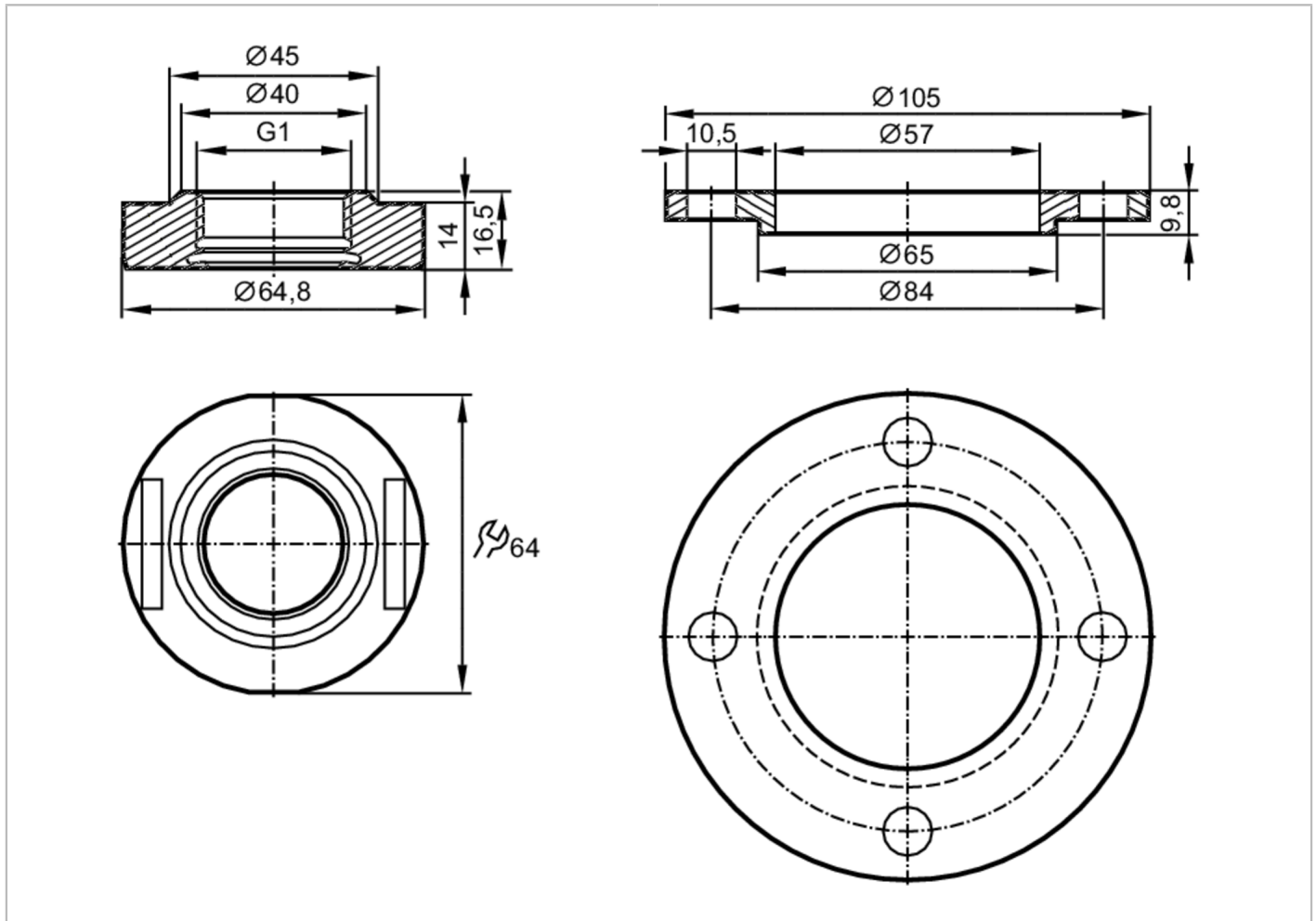


E33242



Process adapter with flange plate

ADAPT IFM-DRD D=65



EC 1935/2004

Application

Pressure rating [bar] 25

Tests / approvals

Pressure Equipment Directive

A possible classification to PED depends on the application and has to be carried out by the user / operator.

Safety instructions

The compatibility between medium and product material has to be checked in all applications.

Mechanical data

Weight [g] 615

Materials stainless steel (1.4435 / 316L)

Sensor connection G 1 external thread Aseptoflex Vario

Process connection DRD-Flansch D65

Surface characteristics Ra/Rz of the wetted parts 0.4 / 4

Sealing Gasket

Hygienic equipment class to DIN 11866 H4

E33242



Process adapter with flange plate

ADAPT IFM-DRD D=65

Accessories	
Accessories (supplied)	O-rings: 1 x 24 x 2 (EPDM), FDA compliant
Accessories (optional)	O-ring: 1 x 24 x 2 (FKM), FDA compliant, E30123
	sealing ring: 1 x PEEK, FDA compliant, E30124
Remarks	
Pack quantity	1 pcs.