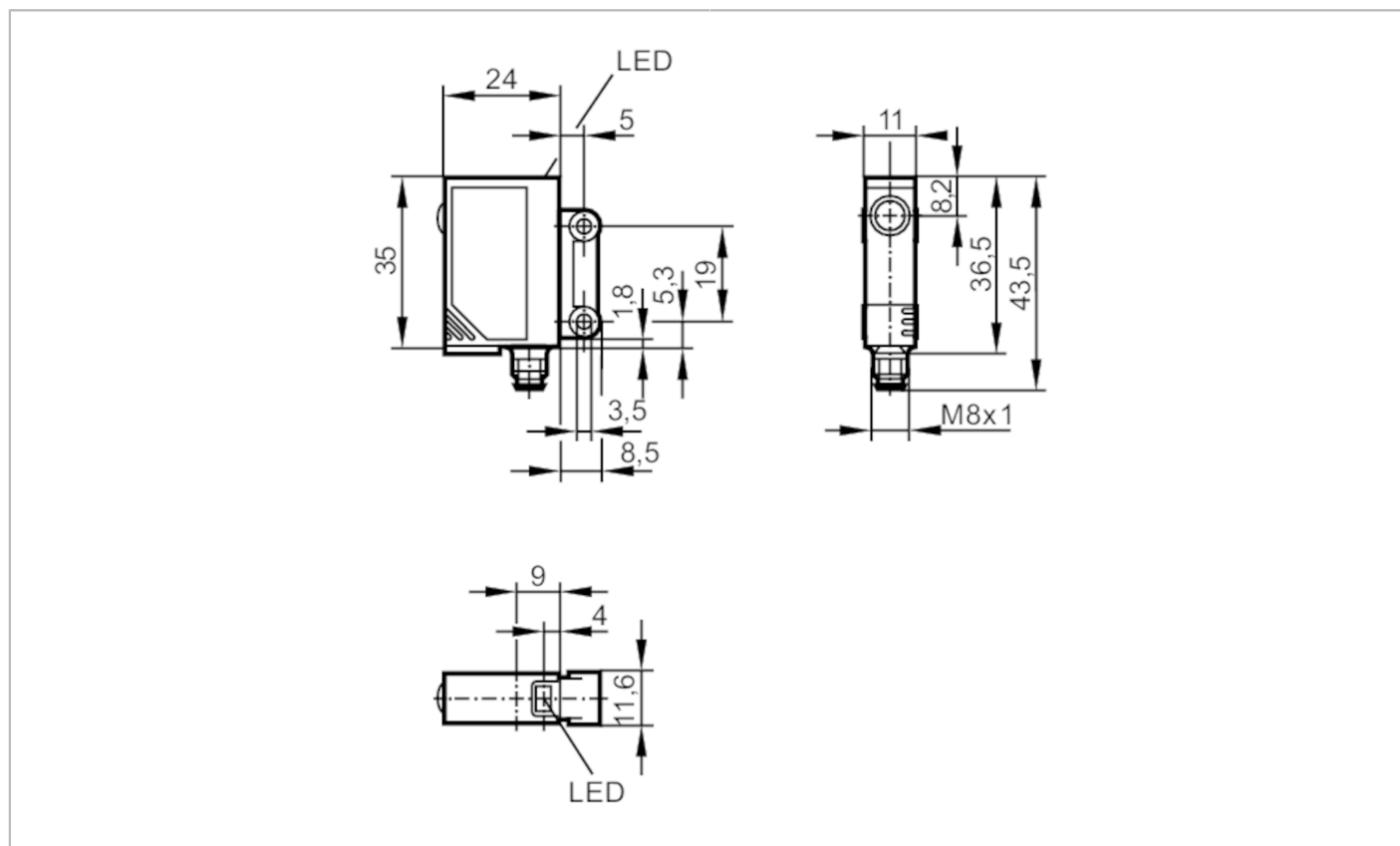


# OJP200



## Retro-reflective sensor

OJP-DPKG/SO/IAS



### Product characteristics

Type of light	red light
Housing	rectangular
Dimensions [mm]	35 x 11 x 24

### Application

Special feature	polarisation filter
Function principle	Retro-reflective sensor

### Electrical data

Operating voltage [V]	10...30 DC
Current consumption [mA]	< 20
Protection class	III
Reverse polarity protection	yes
Type of light	red light

# OJP200



## Retro-reflective sensor

OJP-DPKG/SO/IAS

Outputs		
Electrical design		PNP
Output function		dark-on mode
Max. voltage drop switching output DC	[V]	2.5
Permanent current rating of switching output DC	[mA]	200
Switching frequency DC	[Hz]	1000
Short-circuit protection		yes
Type of short-circuit protection		pulsed
Overload protection		yes
Detection zone		
Range referred to prismatic reflector	[m]	1.8; (Prismatic reflector Ø 80 E20005)
Range adjustable		no
Max. light spot diameter	[mm]	64
Light spot dimensions refer to		at maximum range
Polarisation filter available		yes
Operating conditions		
Ambient temperature	[°C]	-25...60
Protection		IP 67
Tests / approvals		
EMC		EN 60947-5-2
MTTF	[years]	905
Mechanical data		
Weight	[g]	15.6
Housing		rectangular
Dimensions	[mm]	35 x 11 x 24
Materials		ABS; SEPS
Lens material		PMMA
Lens alignment		side lens
Displays / operating elements		
Display	switching status	1 x LED, yellow
Remarks		
Remarks		operating voltage "supply class 2" according to cULus
Pack quantity		1 pcs.
Electrical connection		
Connector: 1 x M8		

# OJP200



## Retro-reflective sensor

OJP-DPKG/SO/AS



### Connection

