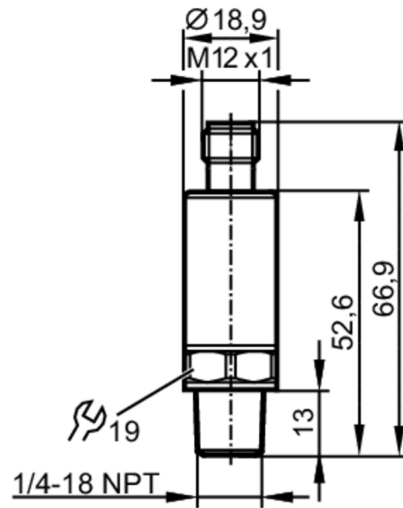


PV7604



Electronic pressure monitor

PV-010-SEN14-UFRVG/US/ I



Product characteristics

Output signal	switching signal; IO-Link; (configurable)			
Measuring range	-1...10 bar	-14.5...145 psi	-100...1000 kPa	-0.1...1 MPa
Process connection	threaded connection 1/4 NPT external thread internal thread M5			

Application

Measuring element	metallic thin film cell			
Application	for industrial applications			
Media	liquids and gases			
Medium temperature [°C]	-40...90			
Pressure rating	25 bar	360 psi	2.5 MPa	
Note on pressure rating	static			
Min. bursting pressure	300 bar	4350 psi	30 MPa	
Vacuum resistance [mbar]	-1000			
Type of pressure	relative pressure			
MAWP (for applications according to CRN) [bar]	25			

Electrical data

Operating voltage [V]	18...30 DC			
Current consumption [mA]	< 15			
Min. insulation resistance [MΩ]	100; (500 V DC)			
Protection class	III			
Reverse polarity protection	yes			
Power-on delay time [s]	< 0.3			

Inputs / outputs

Number of inputs and outputs	Number of digital outputs: 2			
------------------------------	------------------------------	--	--	--



Electronic pressure monitor

PV-010-SEN14-UFRVG/US/ I

Outputs				
Total number of outputs	2			
Output signal	switching signal; IO-Link; (configurable)			
Electrical design	PNP/NPN			
Number of digital outputs	2			
Output function	normally open / normally closed; (parameterisable)			
Max. voltage drop switching output DC [V]	2			
Permanent current rating of switching output DC [mA]	100			
Switching frequency DC [Hz]	< 170			
Short-circuit protection	yes			
Type of short-circuit protection	pulsed			
Overload protection	yes			
Measuring/setting range				
Measuring range	-1...10 bar	-14.5...145 psi	-100...1000 kPa	-0.1...1 MPa
Set point SP	-0.9...10 bar	-13.1...145 psi	-0.09...1 MPa	
Reset point rP	-0.95...9.95 bar	-13.8...144.3 psi	-0.095...0.995 MPa	
In steps of	0.005 bar	0.1 psi	0.0005 MPa	
Factory setting	SP1 = 2.5 bar	rP1 = 2.3 bar	ou1 = Hno;	
	SP2 = 7.5 bar	rP2 = 7.3 bar	ou2 = Hno;	
	dS1/dS2 = 0 ms	dr1/dr2 = 0 ms		
	coF = 0 %	P-n = PnP	dAP= 60 ms	
Accuracy / deviations				
Switch point accuracy [% of the span]	< ± 0,5 (nach DIN EN 61298-2)			
Repeatability [% of the span]	< ± 0,05; (with temperature fluctuations < 10 K)			
Characteristics deviation [% of the span]	< ± 0,5 (nach DIN EN 61298-2); (incl. drift when overtightened, zero point and span error, non-linearity, hysteresis)			
Linearity deviation [% of the span]	< ± 0,1 (BFSL) / < ± 0,2 (LS)			
Hysteresis deviation [% of the span]	< ± 0,2			
Long-term stability [% of the span]	< ± 0,1; (per 6 months)			
Temperature coefficient zero point [% of the span / 10 K]	< 0,1 (-25...90 °C) / < 0,2 (-40...-25 °C)			
Temperature coefficient span [% of the span / 10 K]	< 0,1 (-25...90 °C) / < 0,2 (-40...-25 °C)			
Response times				
Response time [ms]	< 3			
Software / programming				
Parameter setting options	hysteresis / window; normally open / normally closed; switching logic; switch-on/switch-off delay; Damping			

PV7604



Electronic pressure monitor

PV-010-SEN14-UFRVG/US/ I

Interfaces	
Communication interface	IO-Link
Transmission type	COM2 (38,4 kBaud)
IO-Link revision	1.1
SDCI standard	IEC 61131-9
IO-Link device ID	855 d / 00 03 57 h
Profiles	Smart Sensor: Process Data Variable; Device Identification, Device Diagnosis
SIO mode	yes
Required master port type	A
Process data analogue	2
Process data binary	2
Min. process cycle time [ms]	5

Operating conditions	
Ambient temperature [°C]	-40...90
Storage temperature [°C]	-40...100
Protection	IP 67; IP 69K

Tests / approvals		
EMC	DIN EN 61326-1	
Shock resistance	DIN EN 60068-2-27	500 g (1 ms)
Vibration resistance	DIN EN 60068-2-6	20 g (10...2000 Hz)
MTTF [years]	668	
UL approval	UL Approval no.	J015
Pressure Equipment Directive	Sound engineering practice; can be used for group 2 fluids; group 1 fluids on request	

Mechanical data	
Weight [g]	66
Materials	1.4542 (17-4 PH / 630); stainless steel (1.4404 / 316L); PEI
Materials (wetted parts)	stainless steel (1.4305 / 303); 1.4542 (17-4 PH / 630)
Min. pressure cycles	60 million; (at 1.2 times nominal pressure)
Tightening torque [Nm]	50; (recommended tightening torque; depends on lubrication, seal and pressure rating)
Process connection	threaded connection 1/4 NPT external thread internal threadM5
Restrictor element integrated	yes

Remarks	
Remarks	BFSL = Best Fit Straight Line LS = limit value setting
Pack quantity	1 pcs.

Electrical connection

Connector: 1 x M12



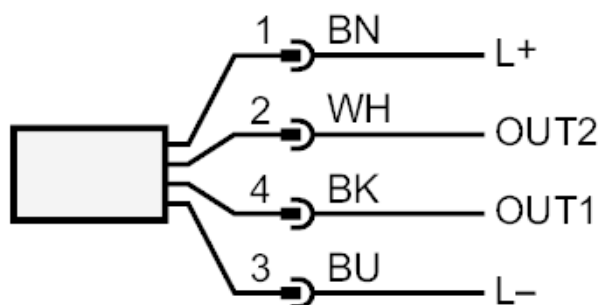
PV7604



Electronic pressure monitor

PV-010-SEN14-UFRVG/US/ /

Connection



OUT1 switching output

IO-Link

OUT2 switching output

colours to DIN EN 60947-5-2

Core colours :

BK = black

BN = brown

BU = blue

WH = white