

MVP12, 4XM12, MOSA, PLUGGABLE CABLE

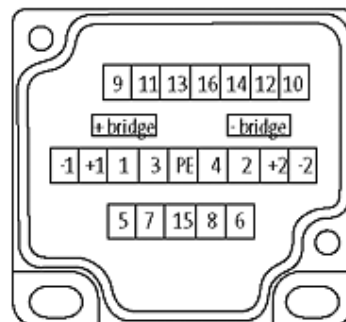
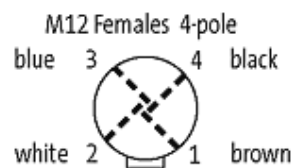
10.0m PUR-JB 8x0,34+5x0,75

quick connection elements included
with LED for digital PNP-signals 24 V DC
4-way, 5-pole, MOSA
PUR/PVC
10.0 m
potentially separated

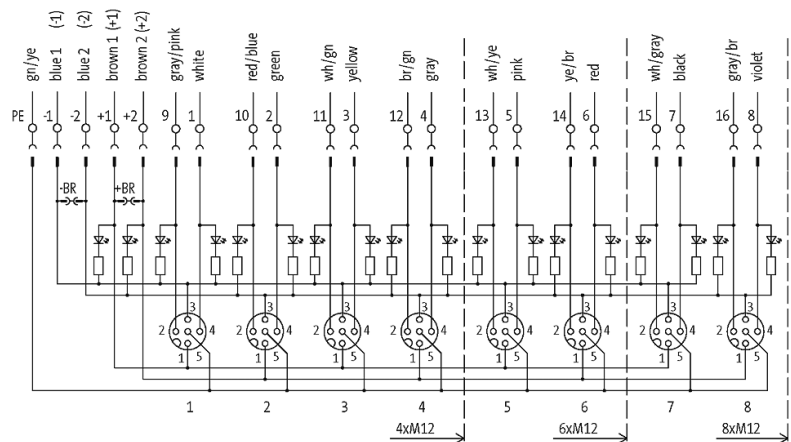
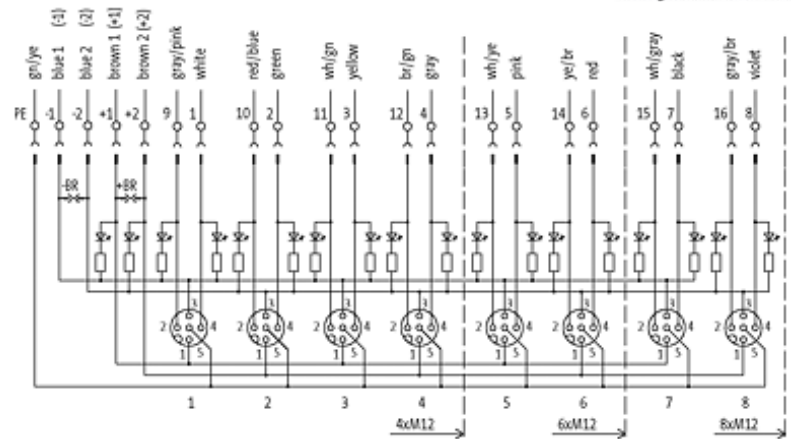
Further cable lengths on request. Plastic housings with good resistance against chemicals and oils. The resistance to aggressive media should be individually tested for your application. Further details on request.

[Link to Product](#)

Illustration



for 2 signals per port



Product may differ from Image

Technical Data

| | |
|-------------------------------|--|
| Operating voltage | 24 V DC |
| Operating current per contact | max. 4 A |
| Total current | max. 2 × 8 A |
| Signal per port | 2 |
| Connection cross section | 0.25...0.5 mm ² |
| Housing | Plastic, flame retardant |
| Protection | IP67 inserted and tightened (EN 60529) |
| Locking of ports | Cap nut |

Cables

| | |
|-----------------------|---------------------------------|
| No./diameter of wires | 8×0.34 + 5×0.75 mm ² |
| C-track properties | 2 Mio. |
| Material (jacket) | PUR/PVC |
| Bend radius (moving) | 12 × outer Ø |
| Outer diameter | approx. 10.5 mm |
| Cable number | 374 |

General data

| | |
|-------------------|--------------|
| Temperature range | -20...+80 °C |
|-------------------|--------------|

Contact layout

| | |
|-------------|--|
| Contact 1 | (+) |
| Contact 2 | (NC)/(S2) |
| Contact 3 | (-) |
| Contact 4 | (NO)/(S1) |
| Contact 5 | (Earth) |
| LED display | LED (green): Power / LED (yellow): (S1/S2) |

Commercial data

| | |
|------------------------|----------|
| country of origin | DE |
| customs tariff number | 85369010 |
| minimum order quantity | 1 |