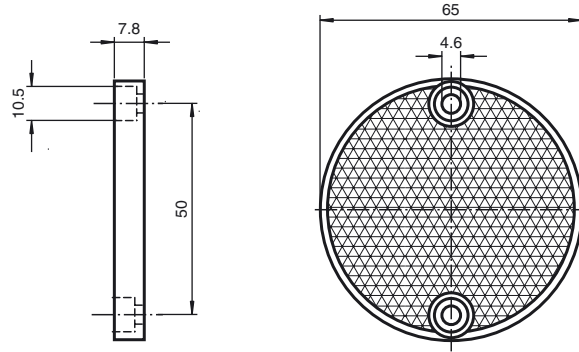




Dimensions



Model Number

REF-C65

Reflector, round \varnothing 65 mm, mounting holes

Features

- Mounting holes for simple installation

Technical data

General specifications

Construction type circular

Ambient conditions

Ambient temperature -20 ... 85 °C (-4 ... 185 °F)

Mechanical specifications

Material PMMA/ABS

Dimensions Diameter: 65 mm

Mounting mounting hole