



DIAZED FUSE LINK 500V TIME-LAG TNDZ SERIES  
SIZE DII, THREAD E16, 2A

Figure similar

| Model  |    |                                 |
|--|----|---------------------------------|
| product brand name   |    | SENTRON                         |
| Product designation  |    | DIAZED fuse                     |
| <b>Design of the product</b>   |    | For cable and line protection   |
| <b>Design of the fuse link</b>   |    | DIAZED fuse link                |
| General technical data   |    |                                 |
| <b>Tripping characteristic class</b>   |    | time-lag (T)                    |
| <b>Size of fuse system / acc. to DIN EN 60269-1</b>  |    | NDz                             |
| <b>Operating class of the fuse link</b>  |    | gG                              |
| <b>circuit-breaker / Design</b>  |    | 5SA2                            |
| Protection class   |    |                                 |
| <b>Protection class IP</b>   |    | IP20, with connected conductors |
| Switching capacity   |    |                                 |
| <b>Switching capacity current</b>  |    |                                 |
| <ul style="list-style-type: none"> <li>for DC / acc. to IEC 60947-2 / Rated value</li> </ul>                                   | kA | 1.6                             |
| <ul style="list-style-type: none"> <li>acc. to IEC 60947-2 / Rated value</li> </ul>  | kA | 40                              |
| Dissipation  |    |                                 |
| <b>Active power loss</b>   |    |                                 |
| <ul style="list-style-type: none"> <li>for rated value of the current / with AC / in hot operating state / per pole</li> </ul> | W  | 0.85                            |
| Electricity  |    |                                 |
| rated current $I_n$ / IEC, DIN/VDE / at 40 Cel   | A  | 1.9                             |
| Current / with AC / Rated value  | A  | 2                               |

## Appearance

Color coding of the fuse link pink

## Product details

Product description Using screw adapter or adapter sleeves

## Mechanical Design

mounting position Any, preferably vertical

## Environmental conditions

### Ambient temperature

- |                         |    |                           |
|-------------------------|----|---------------------------|
| • minimum               | °C | -5                        |
| • maximum               | °C | 40                        |
| • during storage / Note |    | Air humidity 90% at 20 °C |

### General Product Approval

### Declaration of Conformity

### other



GOST



VDE



EG-Konf.

[Environmental  
Confirmations](#)

## Further information

### Information- and Downloadcenter (Catalogs, Brochures,...)

<http://www.siemens.com/lowvoltage/catalogs>

### Industry Mall (Online ordering system)

<https://eb.automation.siemens.com/mall/en/WW/Catalog/Product/5SA211>

### Service&Support (Manuals, Certificates, Characteristics, FAQs,...)

<http://support.automation.siemens.com/WW/view/en/5SA211/all>

### Image database (product images, 2D dimension drawings, 3D models, device circuit diagrams, ...)

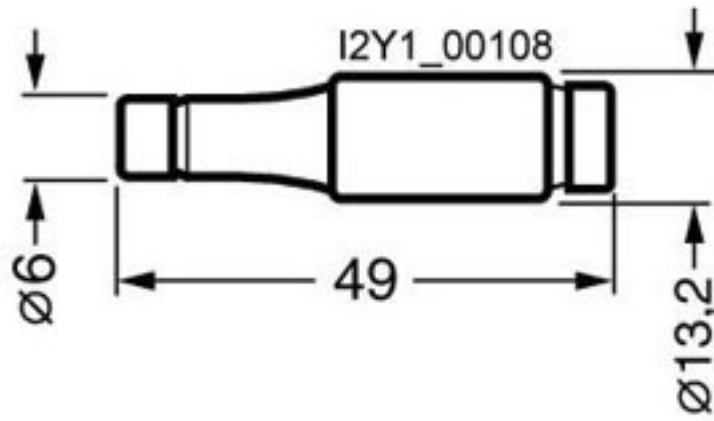
[http://www.automation.siemens.com/bilddb/cax\\_en.aspx?mlfb=5SA211](http://www.automation.siemens.com/bilddb/cax_en.aspx?mlfb=5SA211)

### CAX-Online-Generator

<http://www.siemens.com/cax>

### Tender specifications

<http://ausschreibungstexte.siemens.com/tiplv>



last modified:

11.03.2015