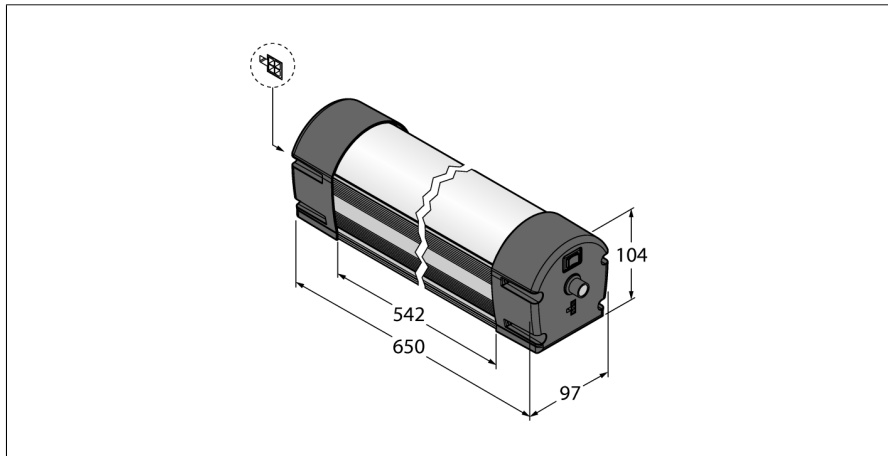


work light
Linear Light
WLB92ZC550PBQM



- Light beam: 550 mm
- Operating voltage: 24 VDC (±10%)
- Protection class: IP50
- Color: Daylight white
- M12 x 1 male
- Built-in ON/OFF switch
- Integrated rotary switch for continuous dimming of the light output (0% - 100%)

Functional principle

The WLB92 LED linear light is designed for multi-purpose use, is powered by 24 VDC and convinces by its robust metal housing and shatter-proof window material. With the built-in toggle switch, the light can be switched on or off and also fully dimmed, 0%-100%, by the rotary switch. The color temperature lies in the range of daylight, between 5,000 and 10,000 Kelvin. With a lifetime of 50,000 hours and very energy efficient LEDs, this a cost-saving and environmentally friendly alternative to conventional fluorescent lamps. This linear light is available in two lengths and more than twice as bright as the known WLB32 LED light.

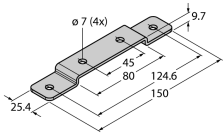
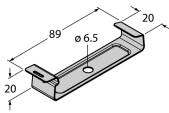
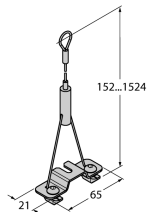
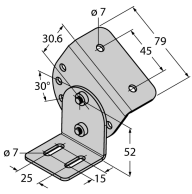
Type designation	WLB92ZC550PBQM
Ident no.	3093261
Purpose	LED work light
Operating mode	Linear Light
Design	Rectangular
Connector designation	WLB92
Housing material	Anodized aluminum, AL, Anodized
Window material	Epoxy resin, diffuse
Protection class	IP40
Ambient temperature	-40...+70 °C
Approvals	CE
Operating voltage U _s	≥ 100 VAC
Operating voltageU _s	≤ 277 VAC
Light type	white
Color temperature	4700...+5300K
Luminous flux lumen	3130 lm

work light
Linear Light
WLB92ZC550PBQM

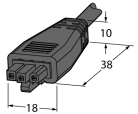
TURCK

Industrial
Automation

Accessories

Type code	Ident no.	Description	
LMBWLB92	3093567	Snap bracket for WLB92 work light, included in the WLB92 scope of delivery	
LMBWLB92CLIP	3093568	Snap bracket for WLB92 linear light	
LMBWLB92HK5	3093569	Pendant mounting bracket for WLB92	
LMBWLB92S	3093570	Mounting bracket for front side mounting of the WLB92	
LMBWLB92RAS	3093571	Pivoting mounting bracket for WLB92 line light	

Wiring accessories

Type code	Ident no.	Description	
LQMAC-306	3086779	Connection cable, 3-wire, stranded wire	

work light
Linear Light
WLB92ZC550PBQM

TURCK

Industrial
Automation

Wiring accessories

Type code	Ident no.	Description
LQMAEC-306SS	3085580	Extension cable to cascade WLB32 lights, length 1.83 m, optional

