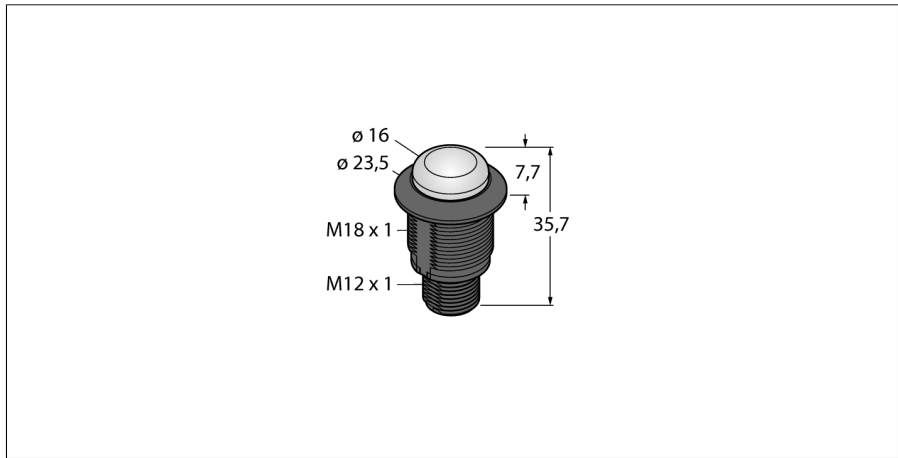
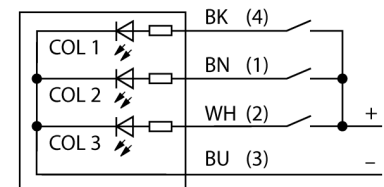


**LED indicator
beacon
S18LWXYPQ**



- LED all-round visible
- Individually controllable
- Mechanical screw-in thread M18x1
- Protection classes IP67 / IP69K
- UV-resistant materials
- Current consumption per LED color:
max. 25 mA
- Multicolor: White (COL 1) / Yellow (COL 3)
- Male M12 x 1
- Operating voltage 10...30 VDC

Wiring Diagram



Functional principle

These LED beacons in robust IP67/IP69K rated design are suited for indoor and outdoor areas. The plastic housing is UV-resistant. The light-emitting surface is visible at an angle of 180° relative to the installation surface. The unique, grey off state allows a good identification, even in sunlight. Depending on the connection, one of the three LED colors is on during the period of an input signal.

Type designation	S18LWXYPQ
Ident no.	3093439
Purpose	LED indicator light
Operating mode	Spotlight
Design	Cylinder, threaded
Connector designation	S18L
Housing material	Plastic, PC + PBT
Window material	Plastic, diffuse
Electrical connection	Connector, M12 1, 4-wire
Protection class	IP67/IP69K
Ambient temperature	-40...+50 °C
Approvals	CE, UL listed
Operating voltage	10...30 VDC
DC rated operational current	≤ 25 mA
Response time typical	< 1 ms
Light type	white yellow