

# Mounting Clamp for Round Profile Diameter 12 mm

## ZMSBS0001

Part Number

### Technical Data

#### Mechanical Data

Material Aluminum

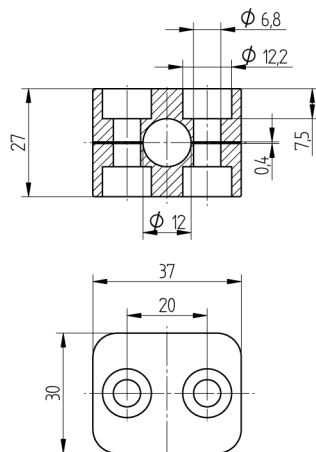
Packaging unit 1 Piece

Mounting Number

180



#### ● Simple installation



All dimensions in mm (1 mm = 0.03937 Inch)

