

This document is the property of Amphenol Corporation and is delivered on the express condition that is not to be disclosed, reproduced or used, in whole or in part, for manufacture or sale by anyone other than Amphenol Corporation without its prior consent, and that no right is granted to disclose or to use any information in this document.

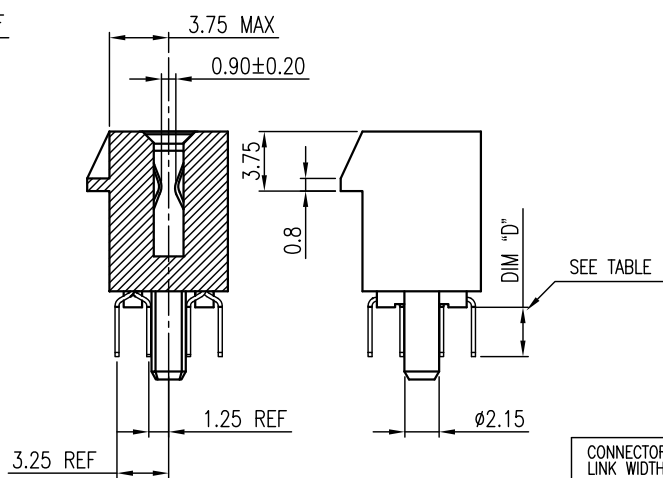
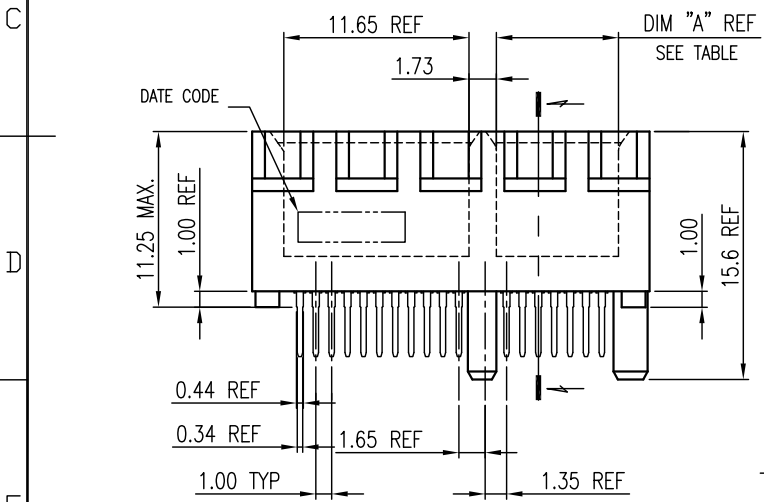
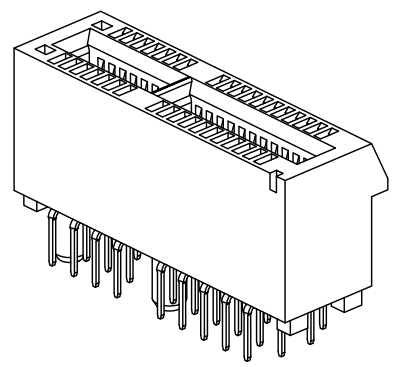
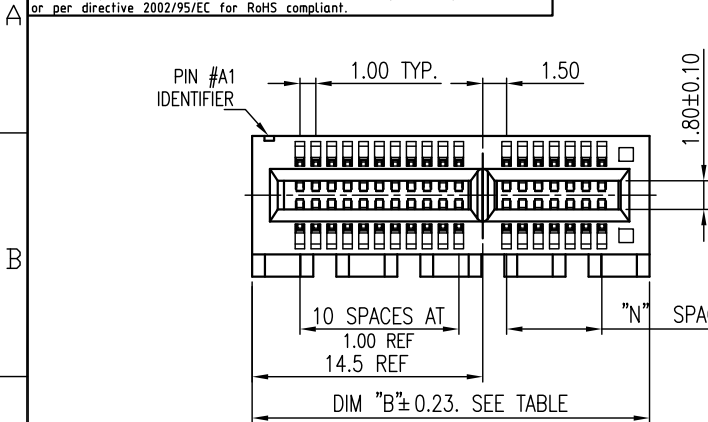
The marking on this product doesn't contain environmental hazardous materials per Material Specification 55-00259 for Sony GP compliant or per directive 2002/95/EC for RoHS compliant.

PRELIMINARY RELEASE
SUBJECT TO CHANGE

REVISIONS				
SYM	ECN No.	DESCRIPTION	DATE	APPROVED
A		RELEASE REVISION	09/02/2011	Roger Tsai
B	NE-13036	ADDED COLOR OPTION	03/15/2013	Roger Tsai
C	NE-14105	ADDED COLOR OPTION & HOLE	05/30/2014	Roger Tsai
DX1		DIMENSION (3,A) 1.80 REF--> 1.80±0.10	11/27/2014	Roger Tsai

NOTES:

- MATERIAL:
HOUSING: HIGH TEMPERATURE THERMAL PLASTIC, UL94V-0,
COLOR: OPTION.
TERMINAL: COPPER ALLOY.
- FINISH:
TERMINAL:
CONTACT AREA: SELECTIVE GOLD PLATING THICKNESS MIN.;
SOLDERING AREA: MATTE TIN PLATING 100 μ" THICKNESS MIN.;
UNDER PLATING: NICKEL PLATING 50 μ" THICKNESS MIN. OVERALL.
- PRODUCT SPECIFICATION REFER TO : PS-7474.
- PACKING IS PER AMTA PACKING SPECIFICATION PKS-0001.
- THIS PRODUCT DOESN'T CONTAIN ENVIRONMENTAL HAZARDOUS PER DIRECTIVE 2002/95/EC FOR RoHS COMPLIANT.



PART NO. G630H XX X 1 X 1 X EU

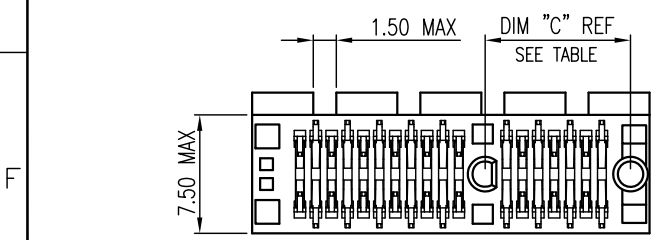
NO. OF POS. TAIL LENGTH OPTION
 36: 36 POSITION 0: 2.30mm
 64: 64 POSITION 1: 3.10mm

MATERIAL OF INSULATOR
 2: PA9T, COLOR-BLACK
 3: PA46, COLOR-BLACK
 6: PA9T, COLOR-WHITE
 7: PA46, COLOR-WHITE
 9: PA9T, COLOR-BLUE(#287C)
 A: PA46, COLOR-BLUE(#287C)

CONTACT FINISH
 0: GOLD FLASH
 1: 15u" GOLD
 2: 30u" GOLD

CONNECTOR LINK WIDTH	# POS REF	N	DIM "A"	DIM "B"	DIM "C"
X1	36	6	7.65	25.00	9.15
X4	64	20	21.65	39.00	23.15
X8	98	37	38.65	56.00	40.15
X16	164	70	71.65	89.00	73.15

PCB THK (REF)	DIM "D"
1.58	2.30
2.36	3.10



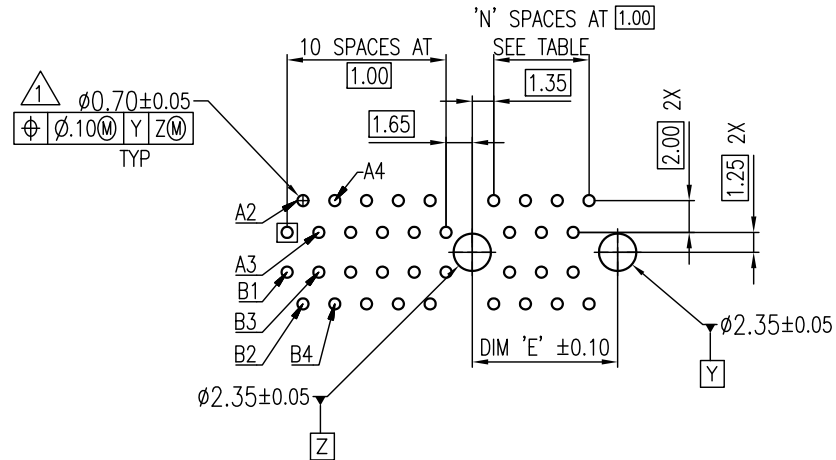
TOLERANCE		APPROVALS		DATE	TITLE		Amphenol®	
X.		DRAWN	Aqua Chou	11/27/2014	G630H SERIES PCI-E 3.0, 1.00 PITCH VERTICAL, PCB MOUNT		Amphenol Corporation Amphenol Taiwan Corporation	
X.X	±0.30	CHECKED	Roger Tsai	11/27/2014				
X.XX	±0.20	APPROVED	Roger Tsai	11/27/2014				
X.XXX	±0.10				UNIT	mm	SIZE	A3
ANGULAR	±1°				SCALE	NA	SHEET	1 OF 4
UNLESS OTHERWISE SPECIFIED		DWG TYPE		PROJECT CODE	PART No.		G630HXXX1X1XEU	
		CUST DWG		SLOT			G630HXXX1X1XEU	

This document is the property of Amphenol Corporation and is delivered on the express condition that it is not to be disclosed, reproduced or used, in whole or in part, for manufacture or sale by anyone other than Amphenol Corporation without its prior consent, and that no right is granted to disclose or to use any information in this document.

The marking on this product doesn't contain environmental hazardous materials per Material Specification 55-00259 for Sony GP compliant or per directive 2002/95/EC for RoHS compliant.

PRELIMINARY RELEASE
SUBJECT TO CHANGE

REVISIONS				
SYM	ECN No.	DESCRIPTION	DATE	APPROVED
A		RELEASE REVISION	09/02/2011	Roger Tsai
B	NE-13036	ADDED COLOR OPTION	03/15/2013	Roger Tsai
C	NE-14105	ADDED COLOR OPTION & HOLE	05/30/2014	Roger Tsai
DX1		DIMENSION (3,A) 1.80 REF--> 1.80±0.10	11/27/2014	Roger Tsai



CONNECTOR LINK WIDTH	# POS REF	N	DIM 'E'
X1	36	6	9.15
X4	64	20	23.15
X8	98	37	40.15
X16	164	70	73.15

PCB SURFACE

NOTES:

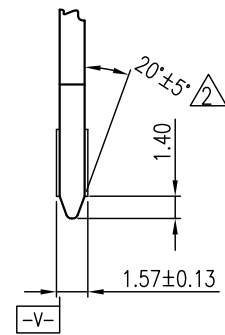
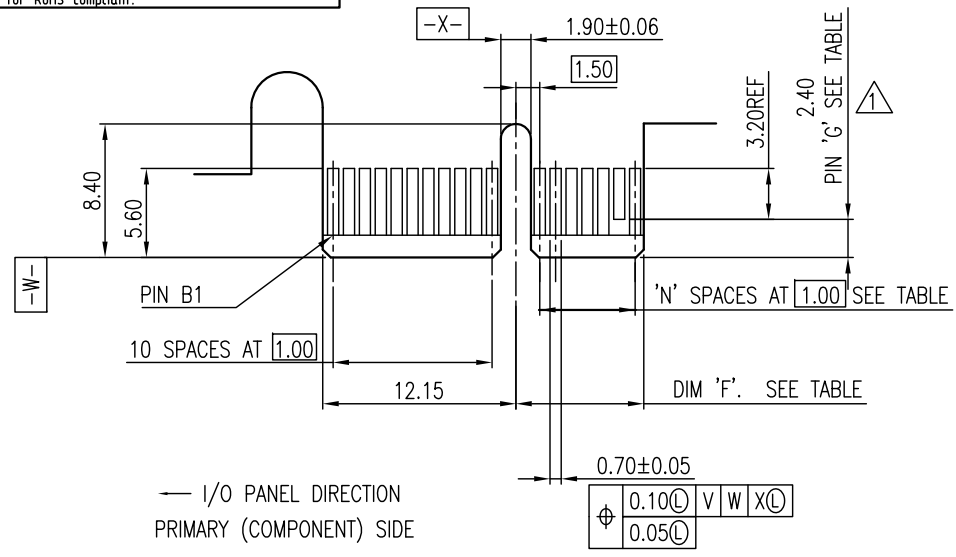
⚠ THE HORIZONTAL AXIS FOR THE HOLE PATTERN IS ESTABLISHED BY A LINE THROUGH THE CENTER OF THE TWO $\phi 2.35$ HOLES. THE VERTICAL AXIS IS 90° TO THE HORIZONTAL AXIS THROUGH THE CENTER OF DATUM $-Z-$

TOLERANCE	APPROVALS	DATE	TITLE		PART No.		
X. ±0.30	DRAWN Aqua Chou	11/27/2014	G630H SERIES PCI-E 3.0, 1.00 PITCH VERTICAL, PCB MOUNT		Amphenol® Amphenol Corporation Amphenol Taiwan Corporation		
X.X ±0.20	CHECKED Roger Tsai	11/27/2014					
X.XXX ±0.10	APPROVED Roger Tsai	11/27/2014					
ANGULAR ±1°	DWG TYPE CUST DWG	PROJECT CODE SLOT					
UNLESS OTHERWISE SPECIFIED			UNIT mm	SIZE A3	PART No. G630HXXX1X1XEU		
			SCALE NA	SHEET 2 OF 4	DWG No. G630HXXX1X1XEU REV. DX1		

This document is the property of Amphenol Corporation and is delivered on the express condition that is not to be disclosed, reproduced or used, in whole or in part, for manufacture or sale by anyone other than Amphenol Corporation without its prior consent, and that no right is granted to disclose or to use any information in this document.

The marking on this product doesn't contain environmental hazardous materials per Material Specification 55-00259 for Sony GP compliant or per directive 2002/95/EC for RoHS compliant.

REVISIONS				
SYM	ECN No.	DESCRIPTION	DATE	APPROVED
A		RELEASE REVISION	09/02/2011	Roger Tsai
B	NE-13036	ADDED COLOR OPTION	03/15/2013	Roger Tsai
C	NE-14105	ADDED COLOR OPTION & HOLE	05/30/2014	Roger Tsai
DX1		DIMENSION (3,A) 1.80 REF--> 1.80±0.10	11/27/2014	Roger Tsai



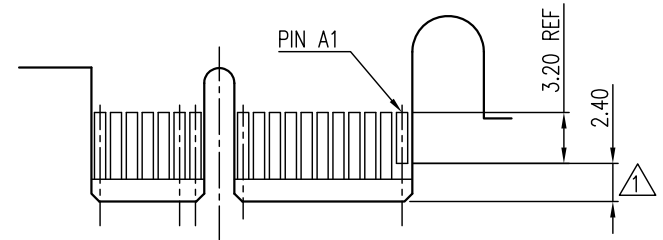
NOTES:

- 1 NO TIE BAR PERMITTED FROM CARD EDGE TO LEADING EDGE OF PAD FOR PINS A1 AND "G".
- 2 CHAMFER EDGES MUST BE FREE OF CUTTING BURRS.

TOLERANCE: .XX±.13

CONNECTOR LINK WIDTH	# POS REF	N	DIM 'F'	'G' 1
X1	36	6	8.15	B17
X4	64	20	22.15	B17, B31
X8	98	37	39.15	B17, B31 B48
X16	164	70	72.15	B17, B31 B48, B81

I/O PANEL DIRECTION
PRIMARY (COMPONENT) SIDE



I/O PANEL DIRECTION
SECONDARY (SOLDER) SIDE

PRELIMINARY RELEASE
SUBJECT TO CHANGE

TOLERANCE		APPROVALS	DATE	TITLE		Amphenol®		
X.		DRAWN Aqua Chou	11/27/2014	G630H SERIES PCI-E 3.0, 1.00 PITCH VERTICAL, PCB MOUNT		Amphenol Corporation Amphenol Taiwan Corporation		
X.X	±0.30	CHECKED Roger Tsai	11/27/2014					
X.XX	±0.20	APPROVED Roger Tsai	11/27/2014					
X.XXX	±0.10				UNIT mm	SIZE A3	PART No. G630HXXX1X1XEU	
ANGULAR	±1°				SCALE NA	SHEET 3 OF 4	DWG No. G630HXXX1X1XEU	
UNLESS OTHERWISE SPECIFIED		DWG TYPE CUST DWG	PROJECT CODE SLOT			REV. DX1		

