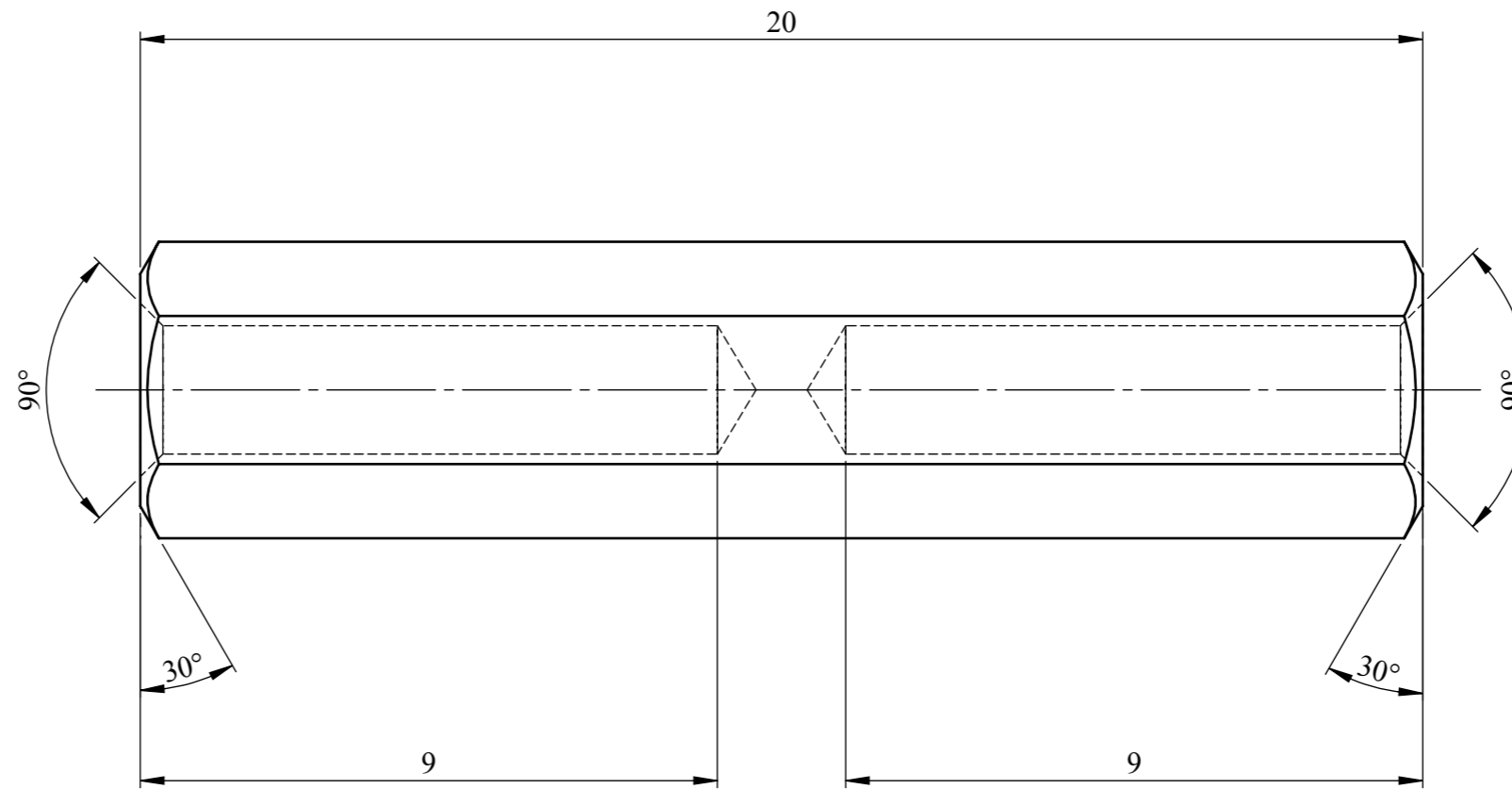
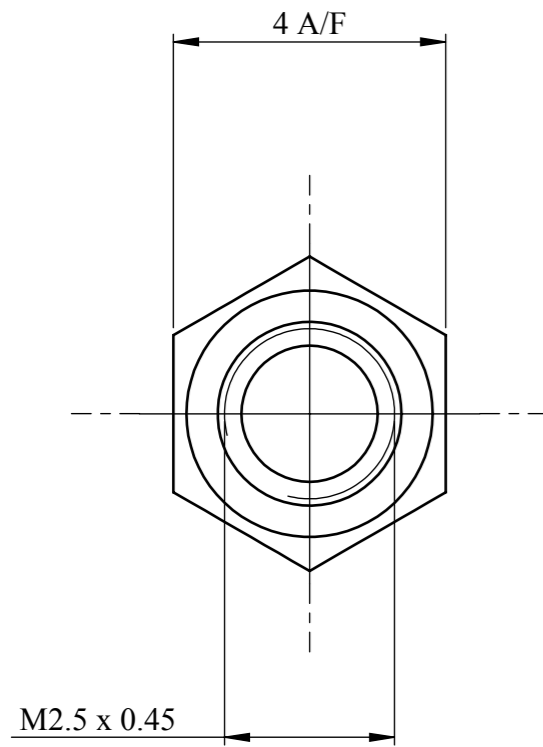


DEBUR AND BREAK SHARP EDGES

DO NOT SCALE DRAWING

REVISION



A DRAWN - 07/12/15

NOTES



DESIGN RIGHT. TR FASTENINGS LTD, 2003
 UNDER NO CIRCUMSTANCES MUST THIS
 DRAWING BE COPIED OR DISCLOSED,
 WITHOUT FIRST OBTAINING WRITTEN
 AUTHORITY.

UNLESS OTHERWISE SPECIFIED:
 DIMENSIONS ARE IN MILLIMETERS
 SURFACE FINISH:
 TOLERANCES:

ISO 2768 m

NAME	DATE
DRAWN MARTIN ELLIOTT	07/12/15
CHK'D	
APPV'D	

CUSTOMER PART No

MATERIAL:

BRASS - CuZn39Pb3

HEAT TREATMENT

N/A

FINISH:

NICKEL PLATE E2E

TITLE:

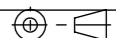
M2.5 x 20 F/F HEXAGON SPACER

DWG NO.

FAHSBFFM2.5-20-4

A3

PROJECTION



SHEET 1 OF 1