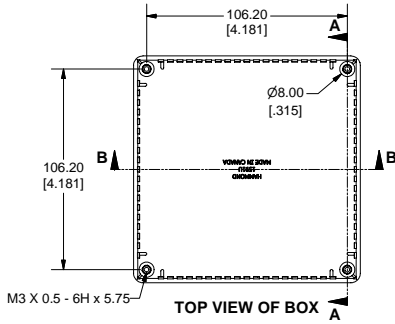
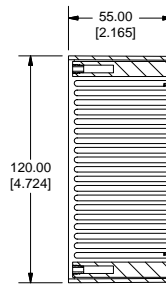


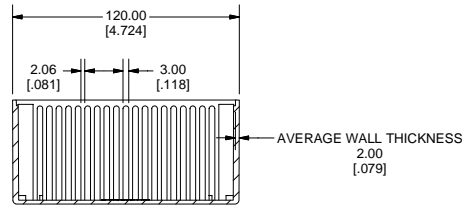
SIDE VIEW OF BOX



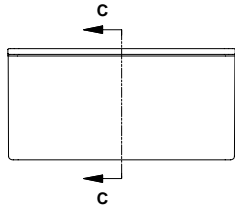
TOP VIEW OF BOX



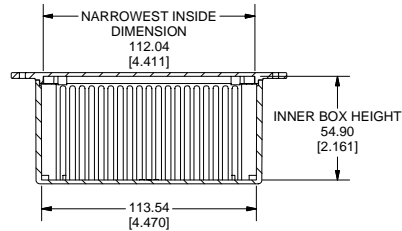
SECTION A-A



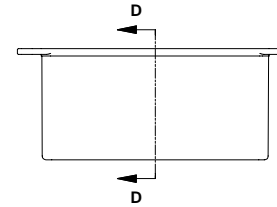
SECTION B-B



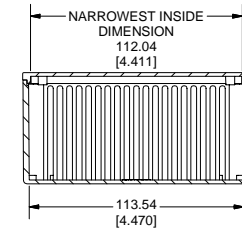
END VIEW OF ENCLOSURE



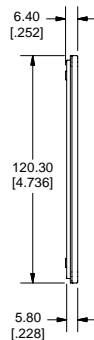
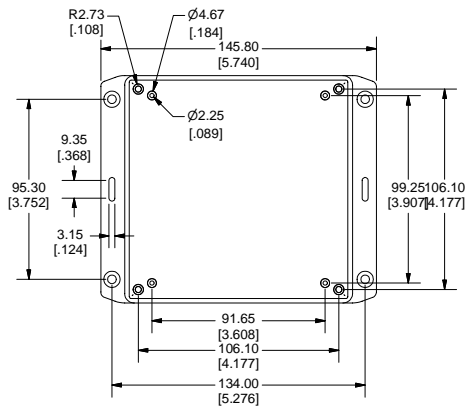
SECTION C-C



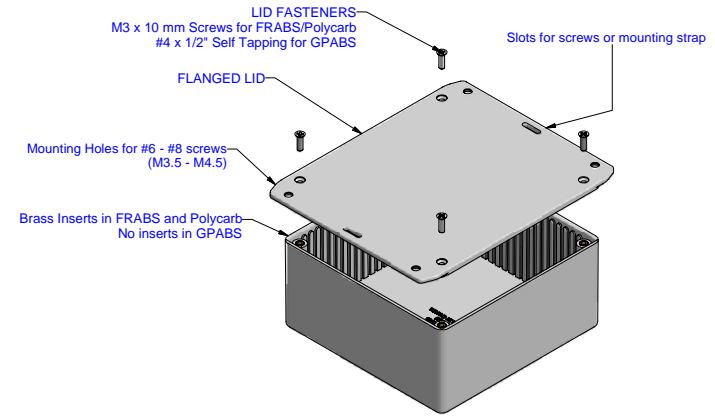
SIDE VIEW OF ENCLOSURE



SECTION D-D



# 1591UFL Enclosure



EXPLODED VIEW OF ASSEMBLY

**Note:**

Enclosures can be Factory Modified ( Milling, Drilling, Printing etc. )  
 Solid models of this enclosure available in STEP or IGES Format.  
 Contact Factory [mjm@hammondmfg.com](mailto:mjm@hammondmfg.com)



PART NUMBERS		
1591U Flanged Lid Enclosures		
Material	Colour	Part Number
FRABS UL94	Black	1591UFLBK
- V0	Grey	1591UFLGY
Accessories		
	Description	Part Number
Used with ABS Enclosures	PC Board Card Adapters	See Accessories Section
	Replacement Screws, Flat Head Phillips Nickel Plated Pack of 100.	1591MS100 1591MS100BK (Black)
Recommended Torque on Fasteners (no lubrication)		
	M3 - 0.5 x 10mm Screws	30-40 cN*m
	#4 x 0.5 Screws	30-40 cN*m