

Line laser, green, 532 nm, 90 °, 5 mW

LC532-5-5-F(16x65)-C2000
Order Number: 70135190

| Main Parameters (*) | min | typ | max | Unit |
|-----------------------|-----|-----|-----|------|
| Wavelength | | 532 | | nm |
| Optical Output Power | | 5 | | mW |
| Operating Voltage | 4.5 | 5 | 5.5 | V DC |
| Operating Current | 100 | 200 | 290 | mA |
| Operating Temperature | 15 | | 30 | °C |
| Storage Temperature | -40 | | 80 | °C |

Main Data

Warranty 1 years

Technical Parameters

Lifetime > 5,000 h
RoHS yes

Optical Parameters

| | |
|--------------------|----------------------|
| Beam Shape | Line |
| Laser Class | 1 |
| Divergence | C - 0.4 mrad |
| Fan Angle | 90 ° |
| Line Thickness | adjustable |
| Operating Distance | 3 m |
| Optics | glass lens AR coated |
| Beam Mode | TEM00 |
| Laser technology | YVO4+KTP |
| Stability | +/- 10% @ 15-30°C |
| Focus | adjustable |
| Warm up time | < 15 min |

Electrical Parameters

| | |
|--------------------------|----------|
| Potential of Housing | isolated |
| Stripping of cable cover | 50 mm |

Mechanical Parameters

| | |
|-------------------|---------------------|
| Size | Ø16x65 mm |
| Material | aluminium |
| Cable length | 2,000 mm |
| Wire type | 18AWG, black, 3,6mm |
| Output Aperture | 5 mm |
| Housing Color | black |
| Weight | 33 g |
| Stripping of wire | 5 mm |

(*) Over the complete operating temperature range

Features



- Image processing
- Uniform line thickness
- Laser Class 1
- Operating Voltage 5 V DC
- Adjustable focus

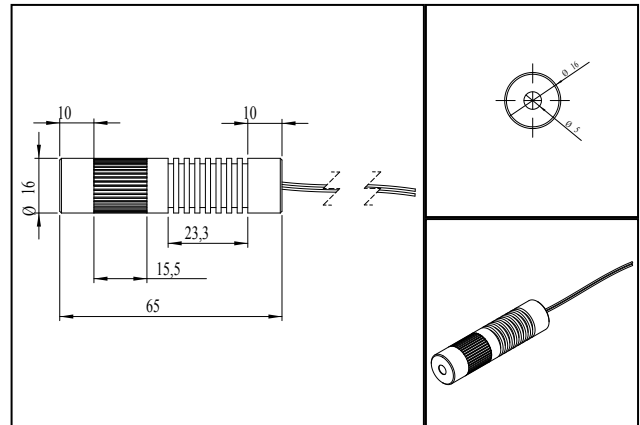
Picture



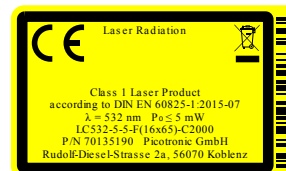
Cable color

| | | | |
|----------|--|-------|-----------------------|
| Ground |  | black | GND |
| positive |  | red | 4.5 - 5.5, typ 5 V DC |

Drawing



Safety Label



Valid Revision

| 15-JAN-2020