

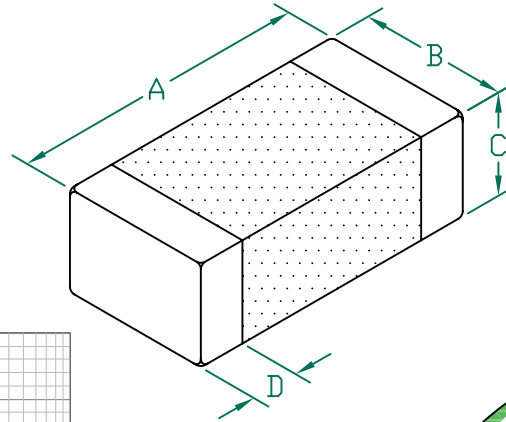


HI1206T161R-10

UNCONTROLLED DOCUMENT

PHYSICAL DIMENSIONS:

A	3.20 [.126]	+ 0.20 [.008]
B	1.60 [.063]	+ 0.20 [.008]
C	1.60 [.063]	+ 0.20 [.008]
D	0.51 [.020]	+ 0.25 [.010]

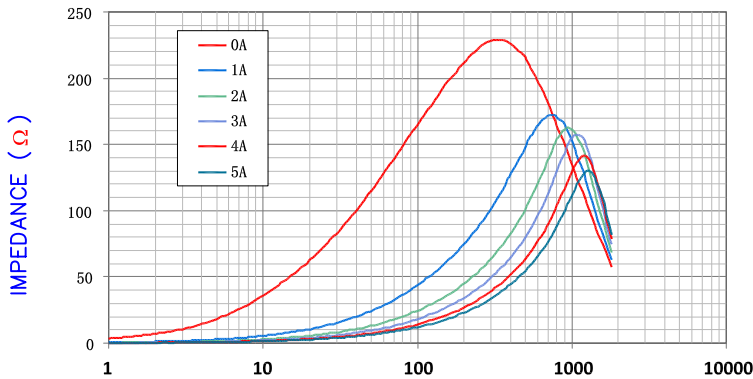


ELECTRICAL CHARACTERISTICS:

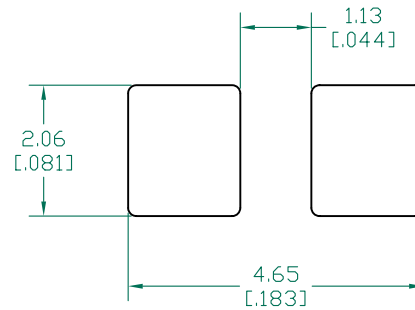
Z @ 100MHz (Ω)	DCR (Ω)	Rated Current
Nominal	160	
Minimum	120	
Maximum	208	6000 mA

- NOTES: UNLESS OTHERWISE SPECIFIED
- TAPED AND REELED per CURRENT EIA SPECIFICATIONS 7" REELS, 2000 PCS/REEL, EMBOSSED PLASTIC TAPE.
 - COMPONENTS SHOULD BE ADEQUATELY PREHEATED BEFORE SOLDERING.
 - TERMINATION FINISH IS 100% TIN.

Z vs FREQUENCY
IMPEDANCE UNDER DC BIAS

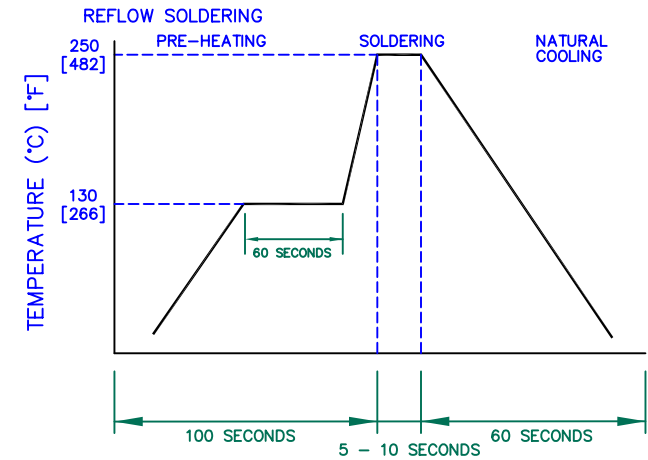


LAND PATTERNS FOR REFLOW SOLDERING

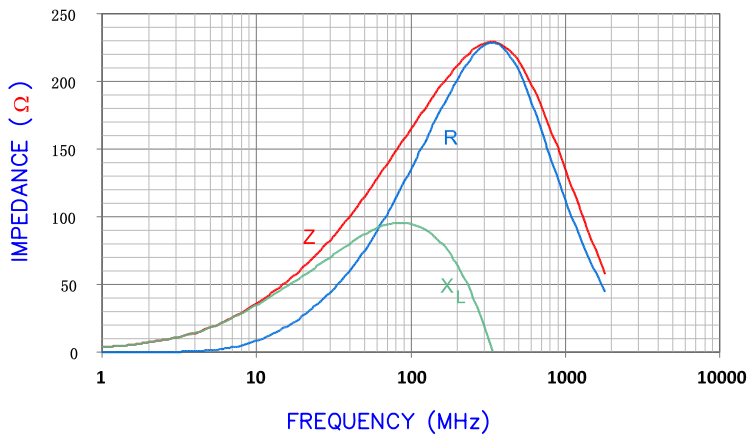


(For wave soldering, add 0.762 [0.030] to this dimension)

RECOMMENDED SOLDERING CONDITIONS



FREQUENCY (MHz)
|Z|, R, AND X vs. FREQUENCY



FREQUENCY (MHz)

Z R X_L

DIMENSIONS ARE IN mm [INCHES].				This print is the property of Laird Tech. and is loaned in confidence subject to return upon request and with the understanding that no copies shall be made without the written consent of Laird Tech. All rights to design or invention are reserved.		Laird TECHNOLOGIES*		
G	UPDATE CURVES AND REF NUMBER	07/08/10	JUN	PROJECT/PART NUMBER: HI1206T161R-10		REV	PART TYPE:	DRAWN BY:
F	UPDATE COMPANY LOGO	10/09/08	TMB			G	CO-FIRE	JRK
E	ADD EMBOSSED PLASTIC TAPE TO NOTE 1	01/19/07	JRK			DATE:	SCALE:	SHEET:
D	CHANGE C DIMENSION	01/15/07	JRK			01/13/04	NTS	2 of 2
C	CHG REEL QTY ADD ROHS SYMBOL	08/28/06	JRK			CAD #	TOOL #	
B	CHANGE MAXIMUM IMPEDANCE FROM 200	01/11/05	JRK			HI1206T161R-10-G	-	
A	ORIGINAL DRAFT	01/13/04	JRK					
REV	DESCRIPTION	DATE	INT					