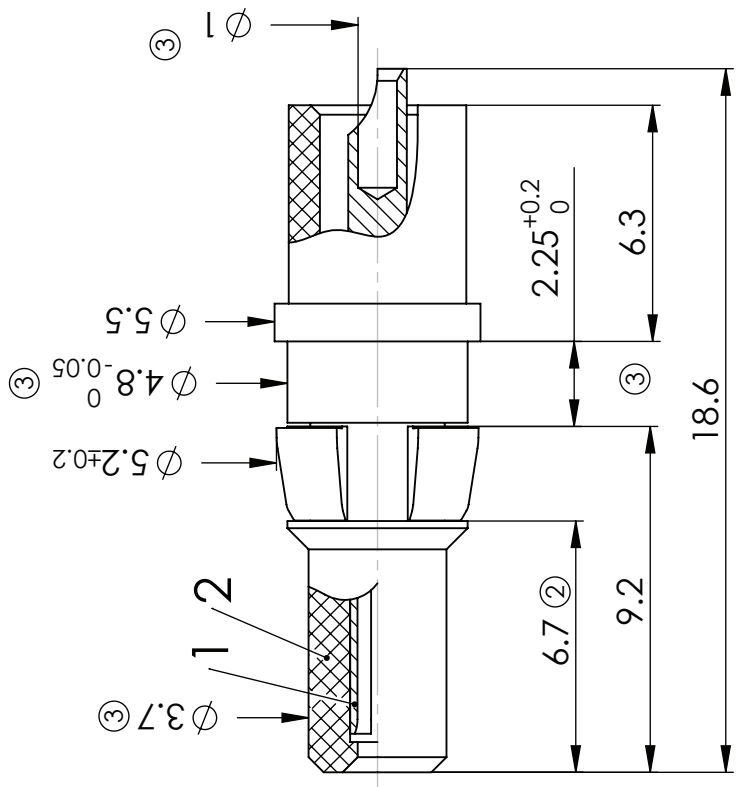
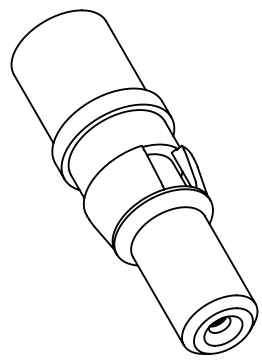


COMMENT:
 ALL RIGHTS ARE RESERVED BY US FOR THIS DRAWING. WITHOUT OUR PRIOR CONSENT,
 IT MAY NEITHER BE DUPLICATED NOR MADE AVAILABLE TO A THIRD PARTY.
 AND IT ALSO MAY NOT BE IMPROPERLY USED BY THE RECEIVER, OR A THIRD PARTY.



FOR D-SUB or EN 60603-2		HIGH VOLTAGE CONTACT		SCALE 1:0.2	
DIMENSIONS IN MM		NAME / DATE		erappenglitz 10-05-2005	
MATERIAL + FINISH SEE EXTRA SHEET		DRAWN		msteinbrueck 18-08-2006	
UNLESS OTHERWISE SPECIFIED DIMENSIONS FOR REFERENCE ONLY		CHECKED		www.fctgroup.com	
3	18-01-2010	11430	INDEX	PART NO. FMV001P_K	
REV.	DATE	INDEX	REPLACEMENT FOR:		