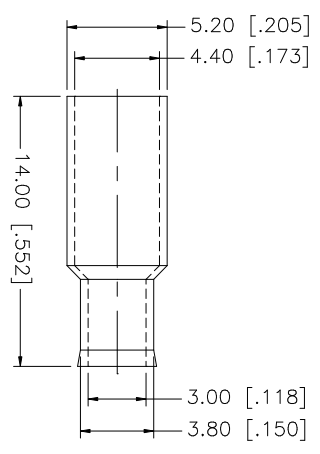
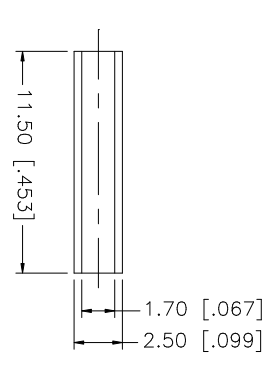
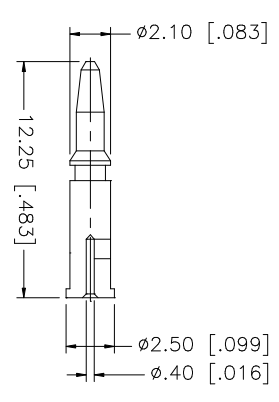
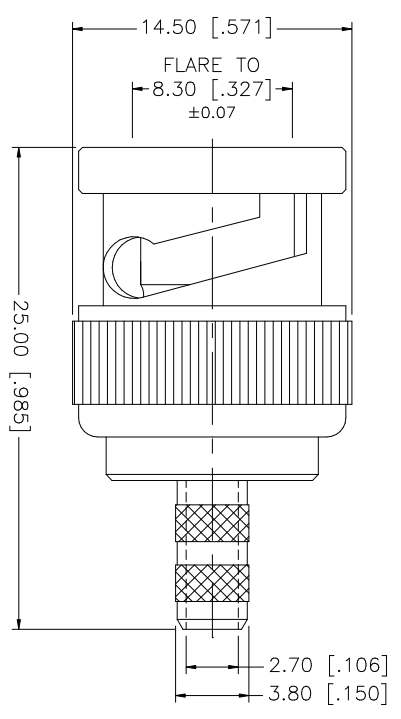
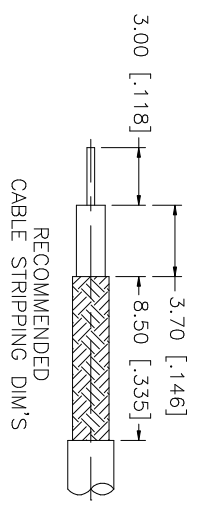


REV.	DATE	DESCRIPTION
A	02/28/02	MODIFY CONTACT PIN AND BODY LENGTH
B	04/04/03	UPDATE DRAWING FORMAT



- CRIMP NOTES:
1. CRIMPED FERRULE
HEX CRIMP SIZE .178"
 2. CRIMPED CONTACT PIN
HEX CRIMP SIZE .068"

NO.	DESCRIPTION	MATERIAL	FINISH	QTY	UNLESS OTHERWISE SPECIFIED DIMENSIONS ARE IN MILLIMETERS. DIMENSIONS IN [] ARE IN INCHES AND FOR CUSTOMER REFERENCE ONLY.	UNLESS OTHERWISE SPECIFIED TOLERANCES FOR MILLIMETERS ARE:	UNLESS OTHERWISE SPECIFIED TOLERANCES FOR INCHES ARE:	APPROVALS	DATE	PART DESCRIPTION
8						0.5 - 8mm ± 0.20mm	.020 - .315 = ± 0.007"			Amphenol Connex BNC CRIMP PLUG - 75 ohms (RG 179/U, 187/U CABLE)
7					8 - 30mm ± 0.40mm	.315 - 1.180 = ± 0.015"				
6	FERRULE	COPPER	NICKEL	1	30 - 120mm ± 0.50mm	1.180 - 4.724 = ± 0.020"				
4	SLEEVE	DELRIN	NATURAL	1						
3	CONTACT PIN	BRASS	GOLD	1						
2	INSULATOR	DELRIN	NATURAL	1						
1	SHELL/BODY	BRASS	NICKEL	1						
	DESCRIPTION									
					DO NOT SCALE DRAWING					
					CAD FILE					
					C:/112/112133.DWG					
					DWG. NO.					
					112133.DWG					
					REV.					
					B					
					SIZE					
					A					
					SCALE					
					NA					