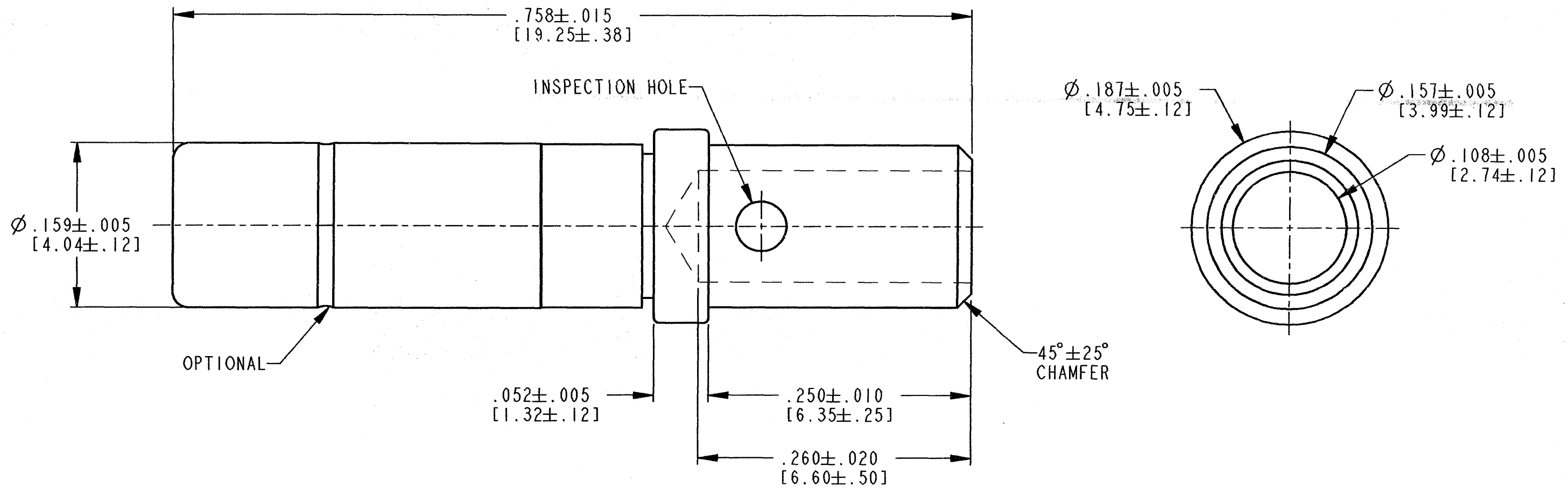


REV
A 0462-203-12**

REVISIONS			
SYM	DESCRIPTION	DATE	APPROVED
NC	NEW RELEASE PER E.O. P15504	2-22-07	R.D.R.
A	NEW RELEASE PER E.O. P20205	6-4-09	<i>ADP</i>



3. FOR CRIMPING INFORMATION SEE DRAWING 0425-205-0000.
 2. WHEN ** = 31: PLATING IS GOLD OVER NICKEL.
 WHEN ** = 141: PLATING IS NICKEL.
 1. ALL DIMENSIONS ARE IN INCHES [METRIC].

NOTES:

SIGNATURE & DATE	
DR	<i>D. MEYER</i> 12/16/97
CHK	<i>W. K. ...</i> 6/3/09
PE	<i>D. Meyer</i> 6/3/09
APPD	<i>R. ...</i> 6-4-09
SCALE	NONE WT _____

CONTACT SOCKET
 SIZE 12
 12-14 AWG
 [3.0-2.0mm²]
 ENVELOPE

EP	MATL. CODE
3850 INDUSTRIAL AVE. HEMET, CA 92545	
B	0462-203-12**
DWG SIZE	CODE 11139 SHEET OF