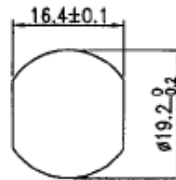



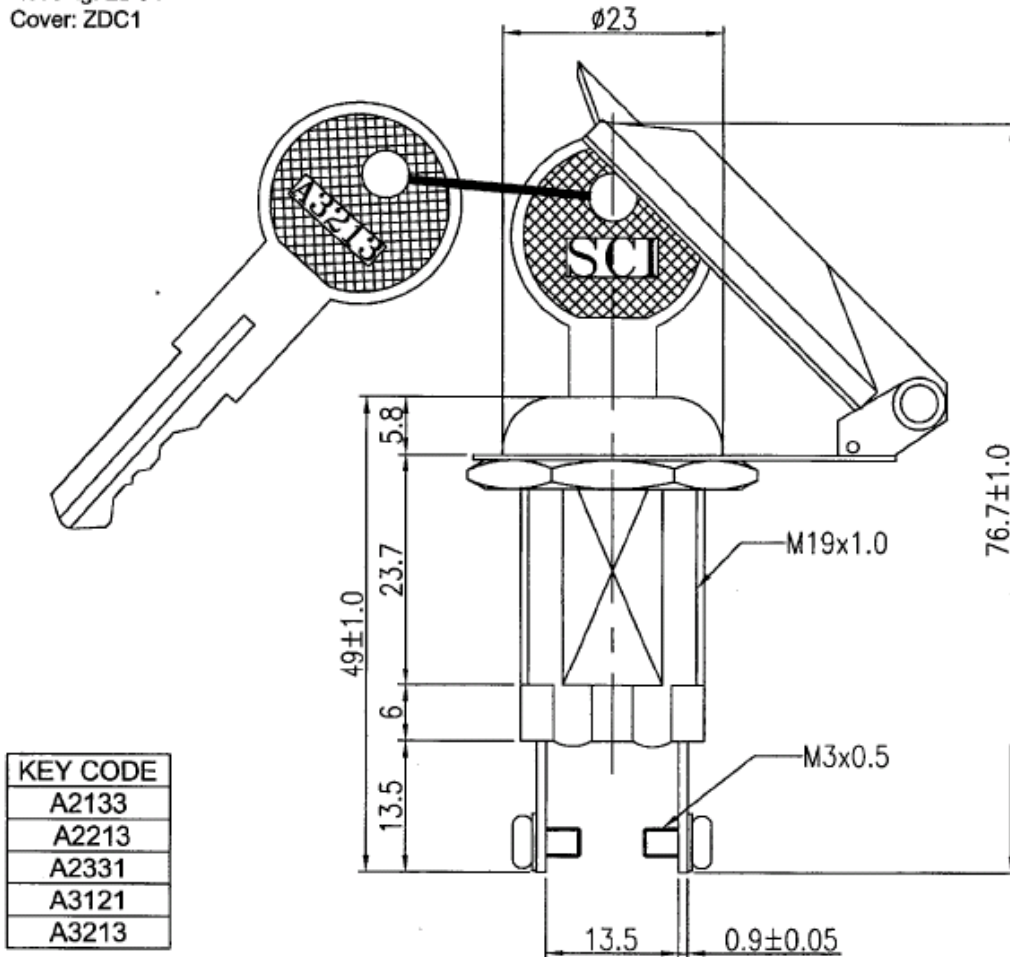
# Datasheet

Item no.: 1587792

V1\_0712\_01\_en

Rating	10A 12V / 24V DC		
Contact Resistance	50m ohm Max.		
Insulation Resistance	DC 500V 100M ohm Min.		
Dielectric Strength	AC 1000V 1 minute		
Switch Function	2P SPST ON-OFF		

Material:  
Housing: ZDC1  
Cover: ZDC1



KEY CODE
A2133
A2213
A2331
A3121
A3213

Tolerances  $\pm 0.5$  Unless Otherwise Specified