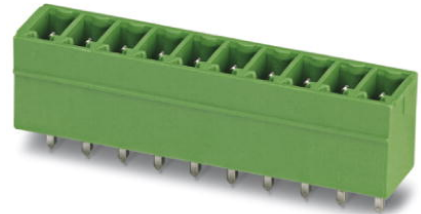


## MCV 1,5/ 5-G-3,81

Order No.: 1803455

The figure shows a 10-position version of the product



<http://eshop.phoenixcontact.se/phoenix/treeViewClick.do?UID=1803455>

Header, Nominal current: 8 A, Nom. voltage: 160 V, Pitch: 3.81 mm,  
Number of positions: 5, Color: green, Assembly: Soldering

### Commercial data

EAN	4017918045760
Pack	50
Customs tariff	85366990
Catalog page information	Page 153 (CC-2007)

### Product notes

WEEE/RoHS-compliant since:  
2003-01-01



Please note that the data given here has been taken from the online catalog. For comprehensive information and data, please refer to the user documentation at <http://www.download.phoenixcontact.com>. The General Terms and Conditions of Use apply to Internet downloads.

### Technical data

#### Dimensions / positions

Pitch	3.81 mm
Dimension a	15.24 mm
Number of positions	5
Pin dimensions	0,8 x 0,8 mm
Hole diameter	1.2 mm

**Technical data**

Insulating material group	IIIa
Rated surge voltage (III/3)	2.5 kV
Rated surge voltage (III/2)	2.5 kV
Rated surge voltage (II/2)	2.5 kV
Rated voltage (III/2)	160 V
Rated voltage (II/2)	250 V
Connection in acc. with standard	EN-VDE
Nominal current $I_N$	8 A
Nominal voltage $U_N$	160 V
Maximum load current	8 A
Insulating material	PBT
Inflammability class acc. to UL 94	V0

**Certificates**



Certification CB, CSA, CUL, GOST, UL, VDE-PZI

**CSA**

Nominal voltage $U_N$	300 V
Nominal current $I_N$	8 A

**CUL**

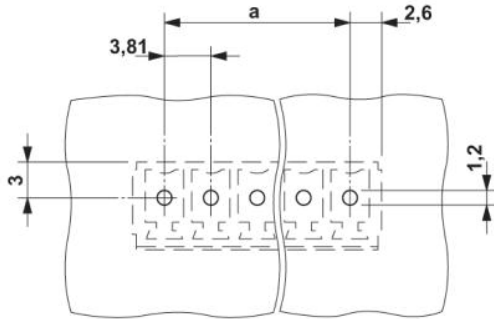
Nominal voltage $U_N$	300 V
Nominal current $I_N$	8 A

**UL**

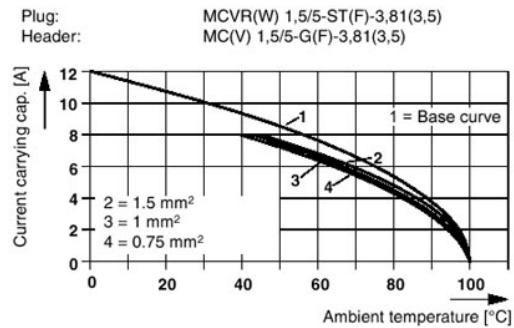
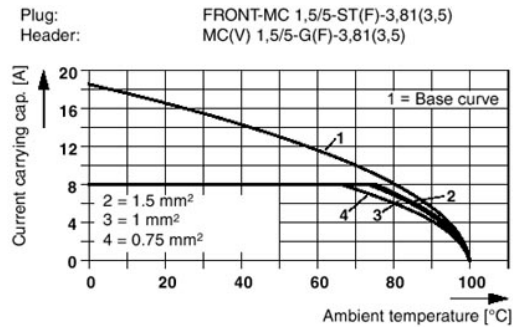
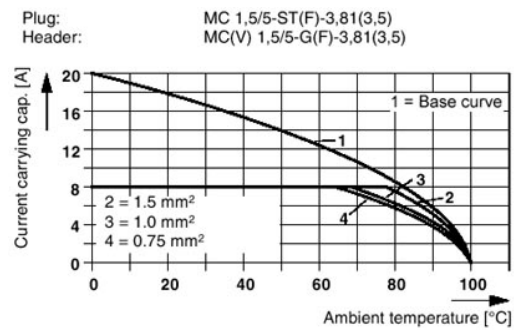
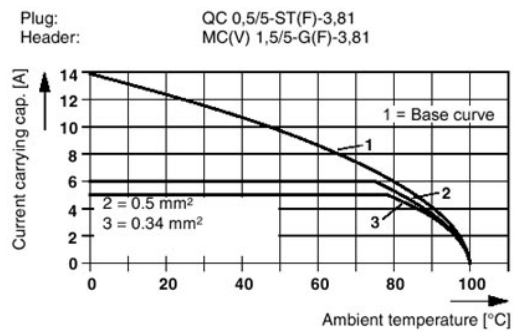
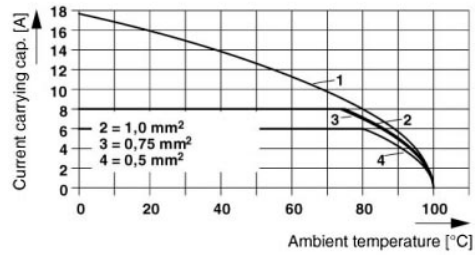
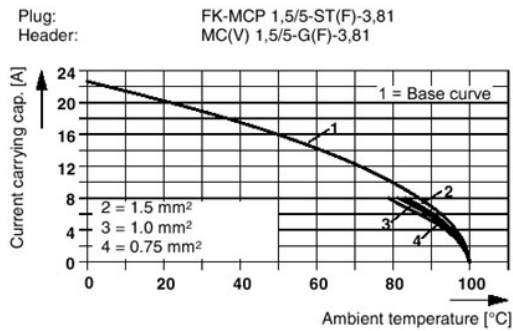
Nominal voltage $U_N$	300 V
Nominal current $I_N$	8 A

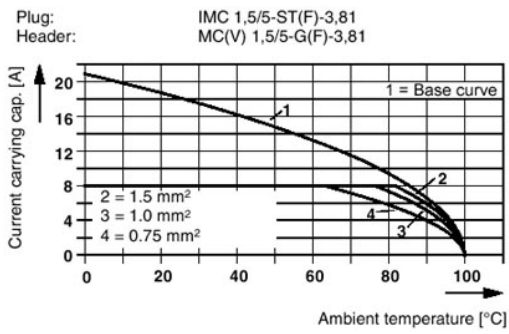
**Drawings**

Drilling diagram

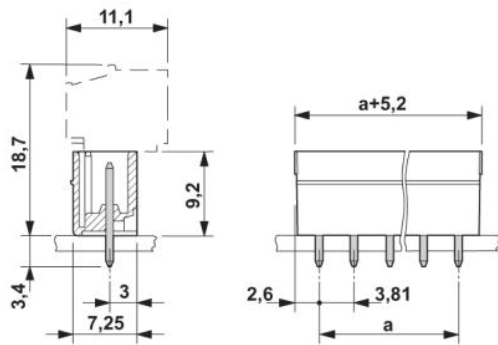


Diagram





### Dimensioned drawing



**Address**

Phoenix Contact AB  
Linvägen 2  
14144 Huddinge, Sweden  
Phone +46 (0)8 - 608 64 00  
Fax +46 (0)8 - 608 64 99  
<http://www.phoenixcontact.se>

Phoenix Contact Oy  
Technical modifications reserved;