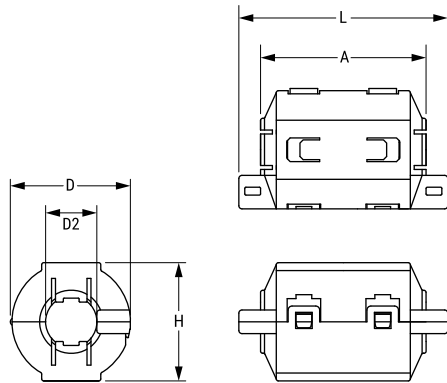


KEMET Part Number: ESD-SR-250H
(UECESDSR250H00)

KEMET, ESD-SR-H, EMI Cores, Noise Suppression



| Dimensions | |
|------------|-------------|
| D | 30mm +/-1mm |
| D2 | 13mm +/-1mm |
| L | 53mm +/-1mm |
| H | 30mm +/-1mm |
| A | 42mm +/-1mm |

| Packaging Specifications | |
|--------------------------|-----------|
| Packaging: | Tray, Box |
| Packaging Quantity: | 60 |
| Weight: | 63 g |

| General Information | |
|---------------------|--|
| Series: | ESD-SR-H |
| Style: | Round - Snap-on |
| Cable Type: | Round Cable |
| Description: | EMI Core Split, For Round Cables, Snap-on Core |
| Features: | High Heat Resistance, Cable Holding Mechanism |
| RoHS: | Yes |
| Qualifications: | UL94V-0 |
| Case Color: | Black |
| Materials: | Ni-Zn |

| Specifications | |
|----------------------|-------------------------|
| Temperature Range: | -40/+100°C |
| Effective Frequency: | 300 MHz (FM Band Range) |