

TLM. Adjustable hook clamp

Steel or stainless steel



STANDARD EXECUTIONS

- **TLM.**: basic hook clamp.
- **TLML**: hook clamp with padlock hole.

Indexes for materials and treatments to add to the above-mentioned standard executions:

- **Z**: zinc-plated steel.
- **SST**: AISI 304 stainless steel.

TLN. Adjustable hook clamp

Steel

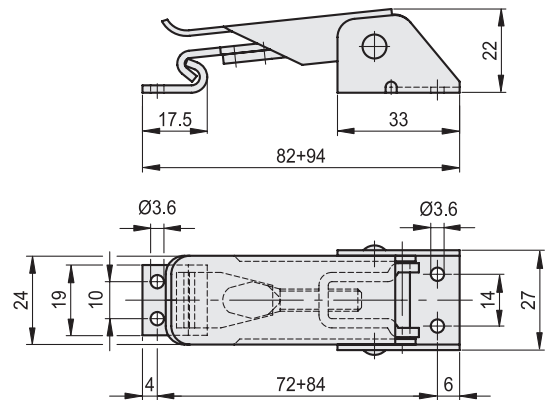
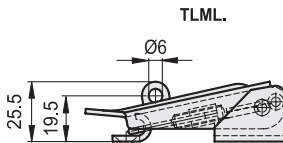
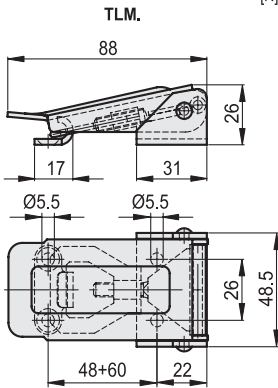


LEVER BODY AND CATCH BRACKET MATERIAL

Zinc-plated steel.

SPECIAL EXECUTIONS ON REQUEST

Adjustable hook clamps with padlock holes.



TLM.Z - TLML.Z

Code	Description	Max. working load [N]	Load at breakage [N]	⚖️
420151	TLM.Z-26/48-60+R	1500	3000	175
420153	TLML.Z-26/48-60+R	1500	3000	175

Code	Description	Max. working load [N]	Load at breakage [N]	⚖️
420161	TLN.Z-14/72-84+R	1000	2000	74

TLM.SST



420152	TLM.SST-26/48-60+R	1500	3000	175
--------	--------------------	------	------	-----

Latches

1434