

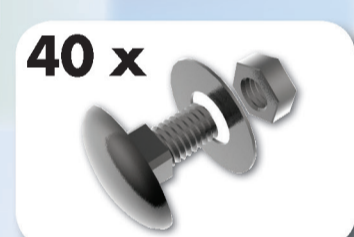
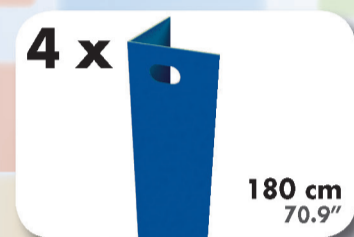
# HOMECLASSIC *Color*

180 x 80 x 40 cm\* (70.9"x31.5"x15.8")

## KIT MINI 5/400

**5** Años Garantía  
Years Guarantee  
Jahre Garantie  
Ans Garantie  
**SIMONRACK**

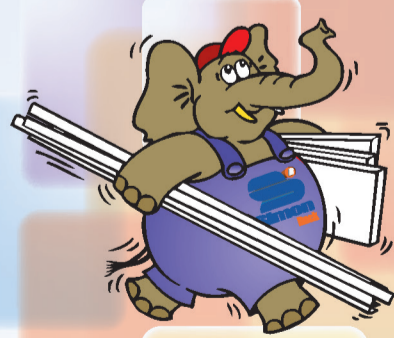
**500 kg**  
(1100 lb)  
Total



180 cm (70.9")

40 cm (15.8")

80 cm (31.5")



\*MEDIDAS EN USO: 1802 x 814 x 414 mm  
USED MEASUREMENTS: 70.95"x 32.05"x 16.30"



ESTANTERIAS SIMON S.L. B.50.556.463  
PG. ALFAMEN C/ POLIGONO C, Nº3  
ALFAMEN (ZARAGOZA)

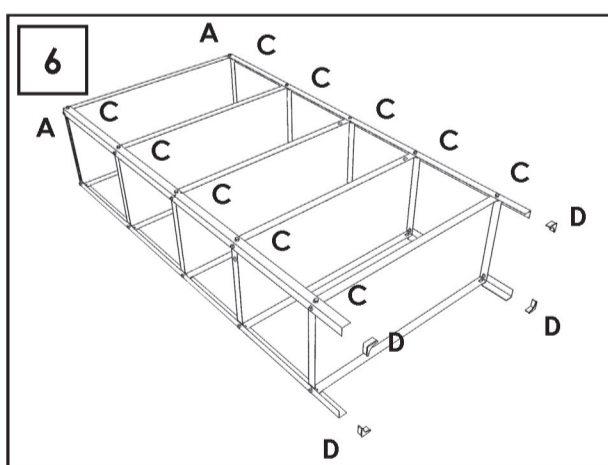
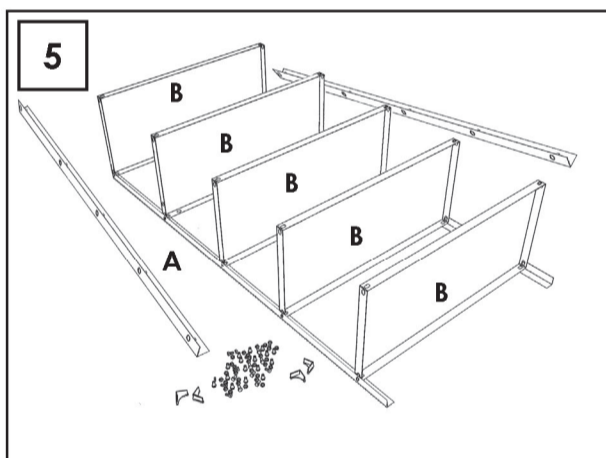
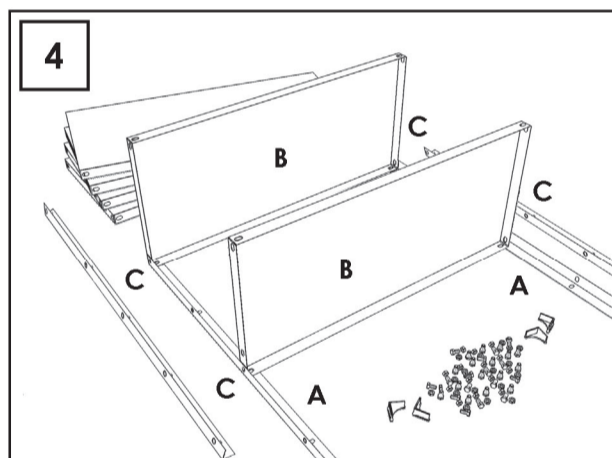
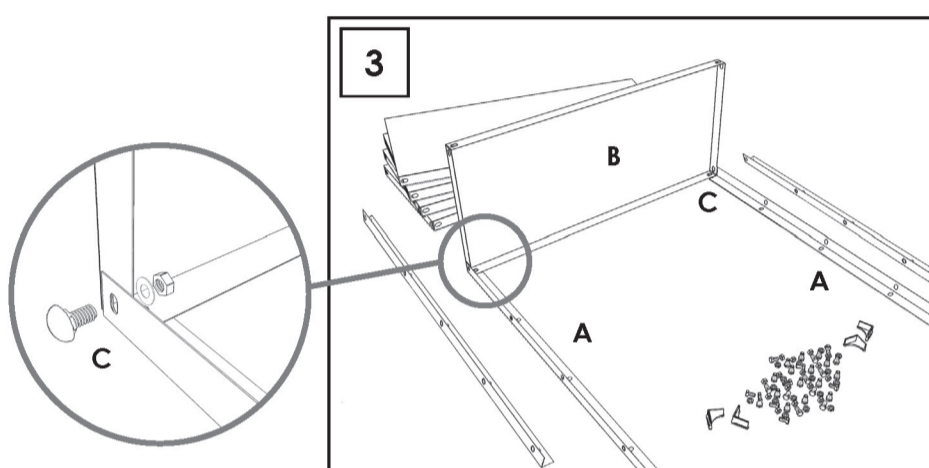
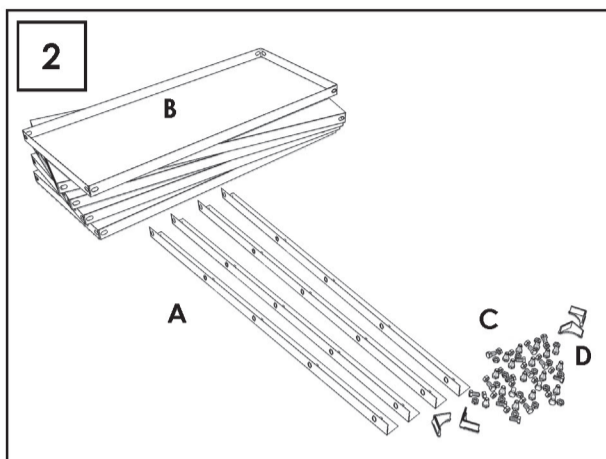
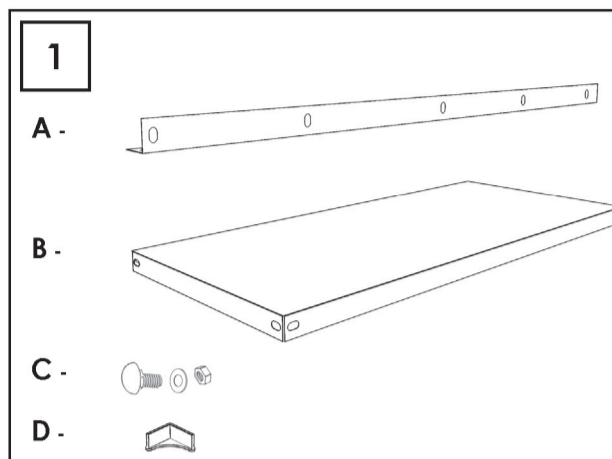


[www.simonrack.com](http://www.simonrack.com)

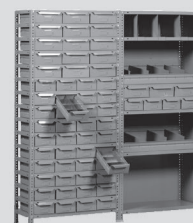


INSTRUCCIONES  
INSTRUCTIONS  
ANLEITUNG  
INSTRUCTIONS

STANDARD MOUNTING



SIMONCLASSIC



SIMONCLICK



SIMONTALLER



SIMONAUTO



SIMONWORK



SIMONLOCKER



SIMONOFFICE



SIMONHOME



SIMONGARDEN



SIMONTITÁN

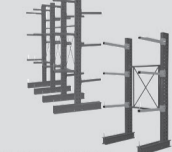
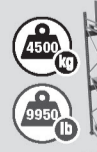
SIMONINOX



SIMONINDUSTRIAL

SIMONPALET

SIMONLEVER



ALTILLOS Y PASILLOS ELEVADOS  
PLATFORMS AND MEZZANINES  
LAGERBÜHNEN • PLATES-FORMES ET MEZZANINES

