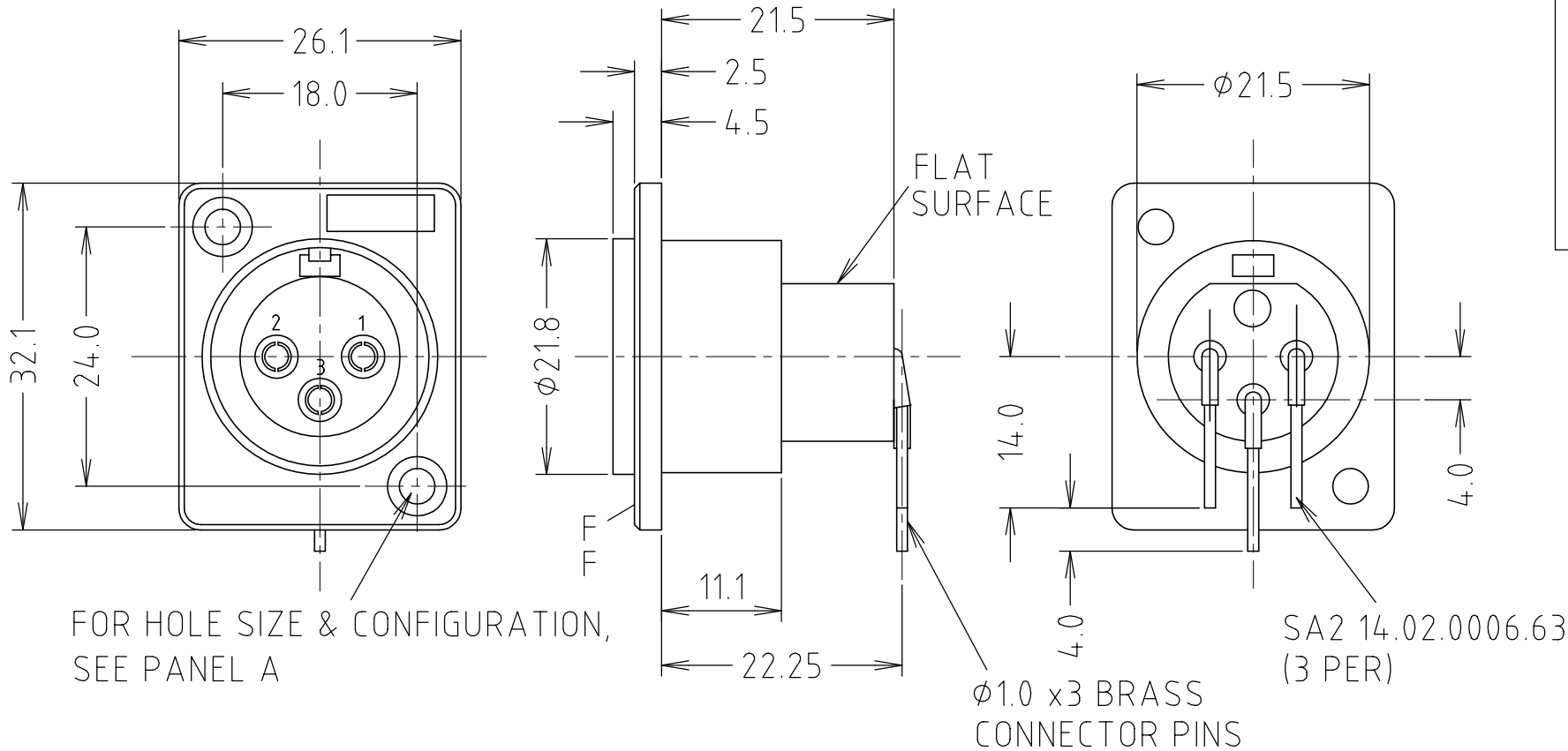
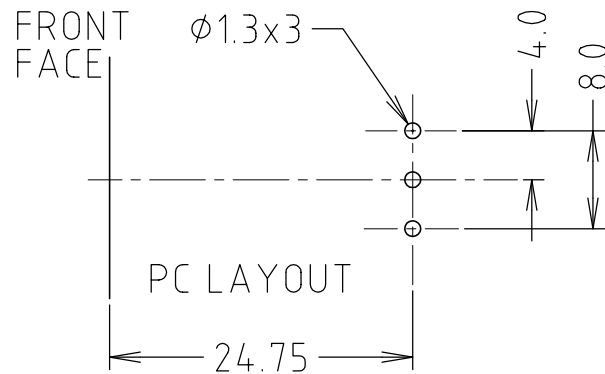


ISS.	REVISION	DATE
1	REDRAWN	18/10/90
2	RS ADDED	1/2/91
3	PIN SA ADDED	14/1/97
4	SA3 REMOVED	29/6/01



PANEL 'A'	
ACF/PC CP 30015	TO SUIT M3 C. S. SCREW
XACF/PC CP 300151	NO C. SUNK Ø 2.5mm



RoHS COMPLIANT
Tolerance
NO DEC. PLACE ± 0.20
1 DEC. PLACE ± 0.10
2 DEC. PLACE ±
DIA. HOLES ± 0.10
ANGLES ± 1/2°
UNLESS OTHERWISE STATED
WHERE USED F.R.
SCALE N.T.S.

DIMENSIONS IN MILLIMETERS UNLESS OTHERWISE STATED. WORK TO DIMENSIONS. DO NOT SCALE DRAWING. 3rd ANGLE PROJECTION. REMOVE BURRS. IF IN DOUBT ASK.

Cliff Electronic Components Limited
76 Holmethorpe Ave., Holmethorpe Ind. Estate,
Redhill, Surrey. RH1 2PF. England.
Tel: 01737-771375 Fax: 01737-766012

MATERIAL NYLON / BRASS
FINISH MATT / Ag PLATED
DRAWN C.A.M.J. APPD. RWT

TITLE AUDIO CONNECTOR MODEL ACF/PC
DRWG. No. **CP 30015**

FORM: A4DRWG