

Category 8 Keystone Socket



Category 8 shielded keystone socket (SEKje)

This zinc die-cast fully shielded Category 8 keystone socket offers a tool-less solution for short-run installations which need to perform to the new Category 8 standard.

Features

- Transmission performance in compliance with the ANSI/TIA 568-C.2-1 specifications for Category 8 cabling systems (i. e. suitable for runs of 5 – 30 metres)
- Compliant with IEC60512-99-001 – suitable for use with IEEE 802.3at (PoE+) applications
- Provides quick and easy tool-less lever “butterfly style” termination
- Suitable for 0.51 – 0.65 mm/ 22 – 24 AWG stranded and solid wire
- Compatible with a wide range of panels, adaptors and faceplates
- Category 8 field termination plug also available:
<http://www.tuk.co.uk/product/category-8-field-termination-plug/>

Specifications

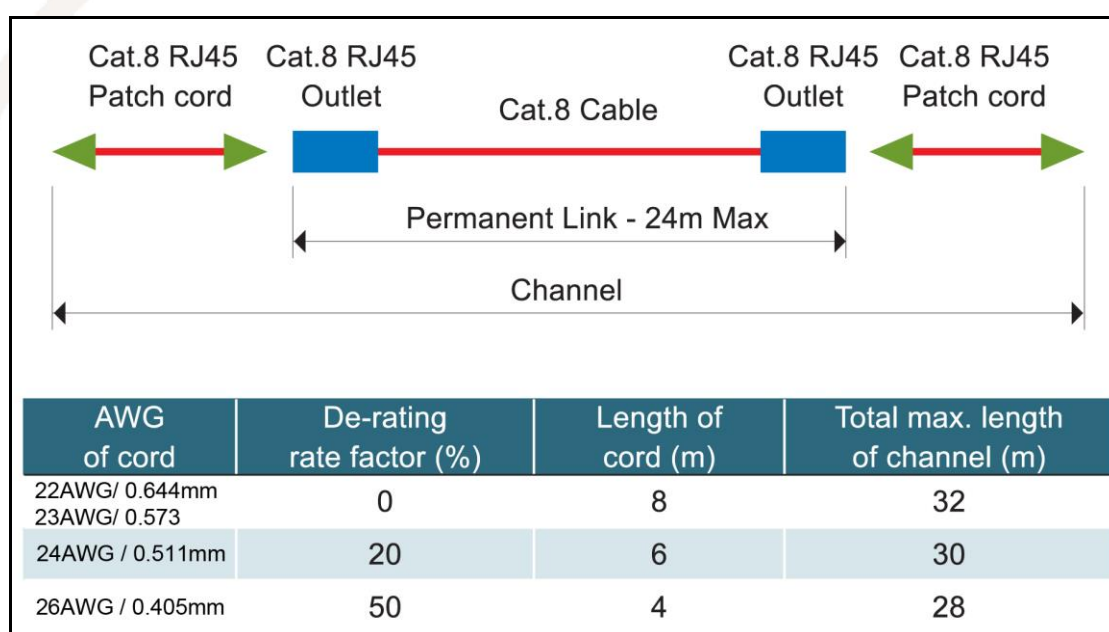
- Weight: 28g (approx.)
- Dimensions: 41.6 x 22.5 x 16.5 mm
- Colour: Silver



- Materials:
 - Body: nickel-plated die-cast zinc
 - RJ45 contacts: 50µ"/1.27µm gold-plated phosphor bronze
 - IDC contacts: tin-plated phosphor bronze
 - Tape: copper foil
- Supplied with cable tie

Packaging: individually packed in poly bags, then in a carton of 50

EAN Number: 5055386507327



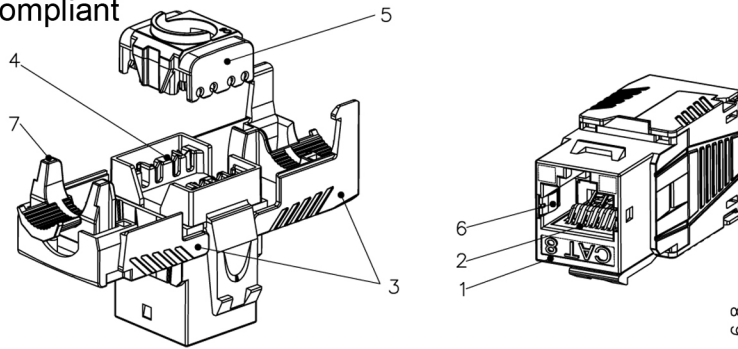
Attribute	Category 5e	Category 6	Category 6A	Category 7/7 _A	Category 8
Frequency	100 MHz	250 MHz	500 MHz	1000 MHz	2000 MHz
Maximum Data Rate	1000Base-T	1000Base-T	10GBase-T	10GBase-T	25GBase-T 40GBase-T
Distance	100 meters	100 meters	100 meters	100 meters	30 meters
Number of Connectors in Channel	4	4	4	4	2
Cable Construction	UTP or Shielded	UTP or Shielded	UTP or Shielded	Shielded	Shielded
Connector Type	RJ45	RJ45	RJ45	Non-RJ45	Class I: RJ45 Class II: Non-RJ45

ISO (cabling)	ISO (components)	Corresponds to	TIA (cabling and components)
Class D	Category 5e	→	Category 5e
Class E	Category 6	→	Category 6
Class EA	Category 6A	→	Category 6A
Class I	Category 8.1	→	Category 8
Class FA	Category 7 _A	No equivalent	
Class II	Category 8.2	→	Class II*

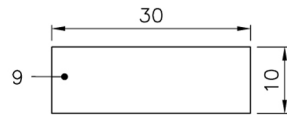


ROHS Compliant

Code: SEKje



SCALE 1/1



Copper foil tape

Specification :

Material :

1. RJ45 Jack :
 - 1-1. Housing : Zinc die-casting with nickel plated.
 - 1-2. Contact bracket : PC, UL 94-V2, transparent color.
2. RJ45 Jack contact :
 - 2-1. Material : Phosphor bronze with nickel plated.
 - 2-2. Finish : 50 micro-inch gold plated on plug contact area.
3. Cap A&B : Zinc die-casting with nickel plated.
4. IDC :
 - 4-1. Housing : PC+glass fiber, white color, UL 94-V2.
 - 4-2. Terminal : Phosphor bronze with tin plated.
5. Cap : PC+glass fiber, white color, UL 94-V2.
6. Grounding contact : Stainless steel.
7. Grounding contact block : Zinc die-casting with nickel plated.
8. PCB : UL 94V-0.
9. Copper foil tape.

Performance :

- a. T568A & T568B wiring.
- b. Insertion force : 30N max. (IEC 60603-7-5).
- c. Retention strength : 7.7 kg between Jack and Plug.
- d. Operating temperature : -10°C to 60°C. (ISO/IEC TR 11801-9901, ANSI/TIA 568-C.2-1).
- e. Life time :
 - e-1. Jack : 750 cycles min. (ISO/IEC 11801, IEC 60603-7-5).
 - e-2. IDC : Suitable for 22-24AWG stranded and solid wire, min. 20-installation cycles.
- f. The Cat 8 transmission performance is in compliance with the ANSI/TIA 568-C.2-1 standard.

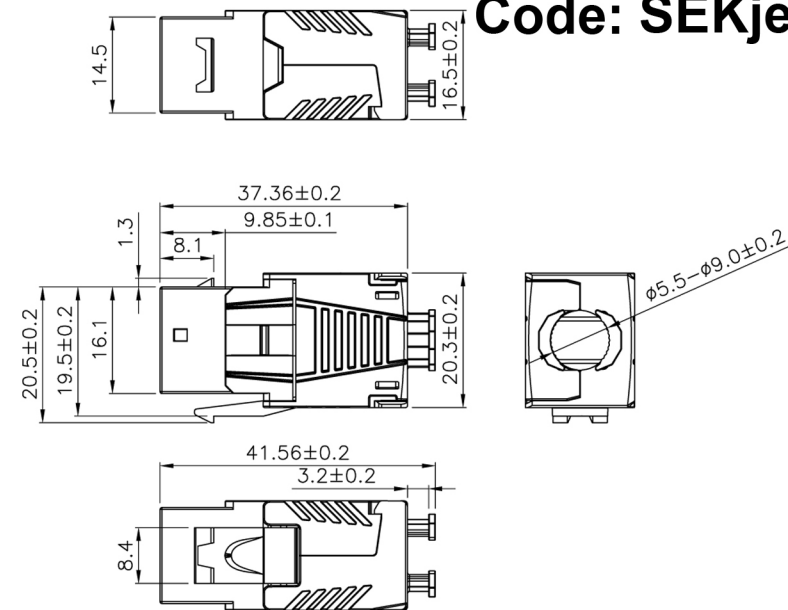
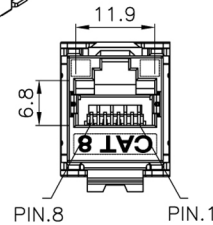


Figure D.2-Panel drawing

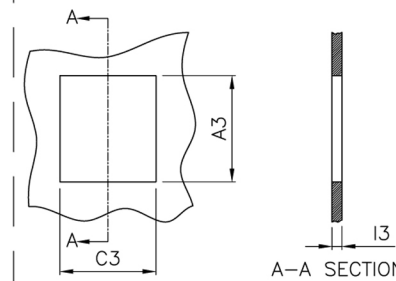


Table D.2-Dimensions

Letter	Maximum mm	Minimum mm
A3	19.61	19.30
C3	15.04	14.78
I3	1.54	1.22

GENERAL TOLERANCE OF DIMENSIONS	
X.XXX	±0.005
X.XX	±0.05
X.X	±0.1