

5.08mm 12A Right Angle Low Profile Terminal Blocks

Specifications

| | |
|--------------------------|------------------|
| Pitch: | 5.08mm |
| Type: | 90° Rising Clamp |
| Poles: | 2 to 12 |
| Rated Voltage: | See Table |
| Rated Current: | See Table |
| Operational Temperature: | -40°C to +105°C |
| Withstand Voltage: | 2000V AC for 60s |
| Insulation Resistance: | 500MΩ at 500V DC |
| Wire Range: | See Table |
| Wire Stripping Length: | 5-6mm ± 0.5mm |
| Screw Size: | M3 |
| Max. Torque Value: | 0.5Nm |
| Wave Soldering: | 260°C for 5s |
| Hand Soldering: | 350°C for 10s |

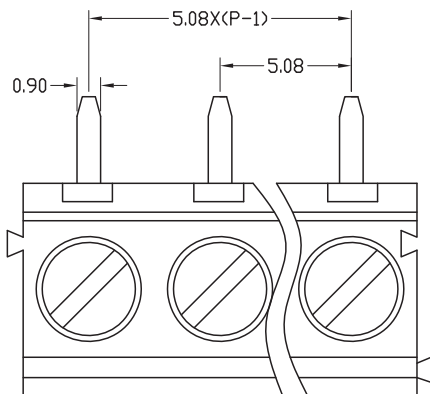
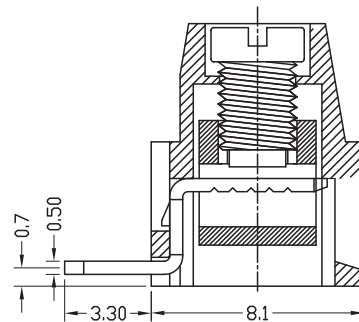
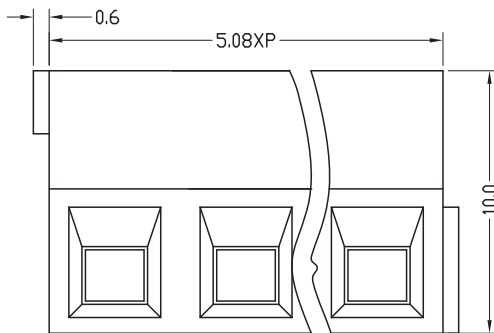


Colour and Materials

| | |
|-------------------|------------------------|
| Housing Colour: | Green |
| Housing Material: | PA66 |
| Flame Retardancy: | UL94-V0 |
| Screw: | Zinc-plated steel (A3) |
| Wire Cage: | Nickel-plated brass |
| Pin Header: | Tin-plated brass |

| Order Code | Poles | Order Code | Poles |
|------------|-------|------------|-------|
| 21-1743 | 2 | 21-1749 | 8 |
| 21-1744 | 3 | 21-1750 | 9 |
| 21-1745 | 4 | 21-1751 | 10 |
| 21-1746 | 5 | 21-1752 | 11 |
| 21-1747 | 6 | 21-1753 | 12 |
| 21-1748 | 7 | | |

| Standard | Rated Voltage | Rated Current | Wire Range |
|----------|---------------|---------------|-------------------------------------|
| UL | 300V | 12A | 26-14AWG (0.14-2.5mm ²) |
| IEC | 250V | 15A | 1.5mm ² |



Measurements are in mm unless stated otherwise.

For further information on pricing, delivery, and long-term stock agreements please get in touch with your local business development contact. Telephone our main office on **01206 838000** or email Sales@Rapidonline.com.

The information contained in this datasheet is subject to change without notice and replaces all data sheets previously supplied.

