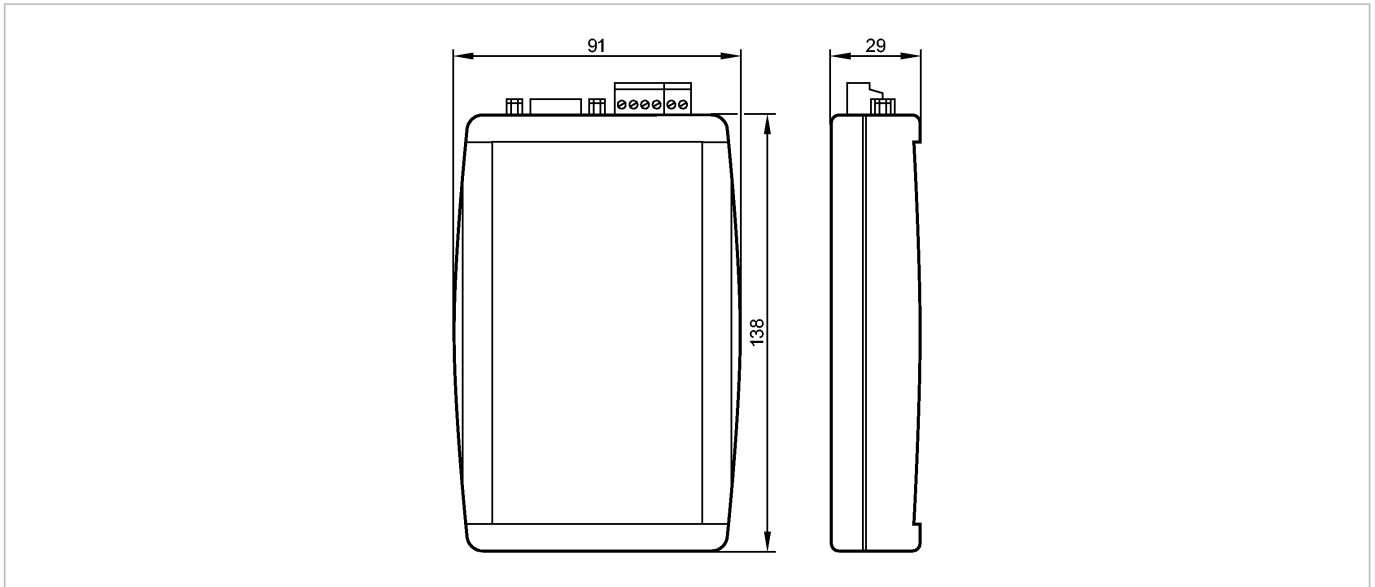


AC1145

eAS-i Tester

Bus system AS-Interface



Product characteristics

eASI-Tester

Local diagnosis of the AS-i network

Creation of test reports for AS-i networks

User-friendly diagnosis and evaluation via the connected PC

Application

Application

Diagnosis and analysis tool for AS-i

Function

Passive AS-i participant as interface for AS-i system analysis with a PC:

- Slave lists as system overview
- Slave data (inputs and outputs)
- Configuration data of the connected slaves
- Statistics on the communication errors
- Complete message evaluation in the expert mode

Electrical data

Rated insulation voltage

> 500

Rated operating current [mA]

70

Undervoltage monitoring

yes

Software / programming

System requirements

PC with Pentium processor or higher Windows version 95/98/ME/NT4/2000/XP/Vista/7/8 (32 bits or 64 bits)

Interfaces

Interface

AS-i
RS-232 (PC connection)
Trigger input (24 V)
Trigger output (TTL)

Telegram memory

256000 AS-i telegrams

Environment

Ambient temperature

[°C]

0...55

Storage temperature

[°C]

-25...70

Tests / approvals

EMC

EN 50081-2
EN 61000-6-2



AC1145

eAS-i Tester

Bus system AS-Interface

MTTF	[Years]	280
AS-i classification		
AS-i version		2.1
Mechanical data		
Weight	[kg]	0.241
Displays / operating elements		
Indications	LED green (power): Supply voltage ok LED green (ser active): RS-232 interface active LED green/red (test): Test mode	
Accessories		
Accessories (included)	D-Sub data cable; software on CD	
Remarks		
Pack quantity	[piece]	1