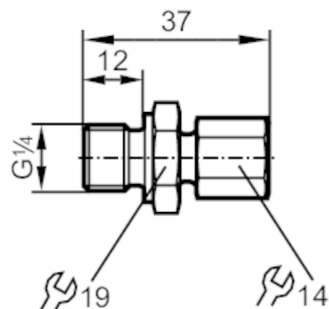


# E33431



## Progressive ring fitting for temperature sensors

PROGRESSIVE RG FITTING D6/G1/4



### Application

Pressure rating [bar] 50

### Tests / approvals

Pressure Equipment Directive

A possible classification to PED depends on the application and has to be carried out by the user / operator.

Safety instructions

The compatibility between medium and product material has to be checked in all applications.

### Mechanical data

Weight [g] 39.4

Materials stainless steel (1.4571/316Ti)

Sensor connection  $\varnothing$  6 mm

Process connection G 1/4

### Remarks

Pack quantity 1 pcs.