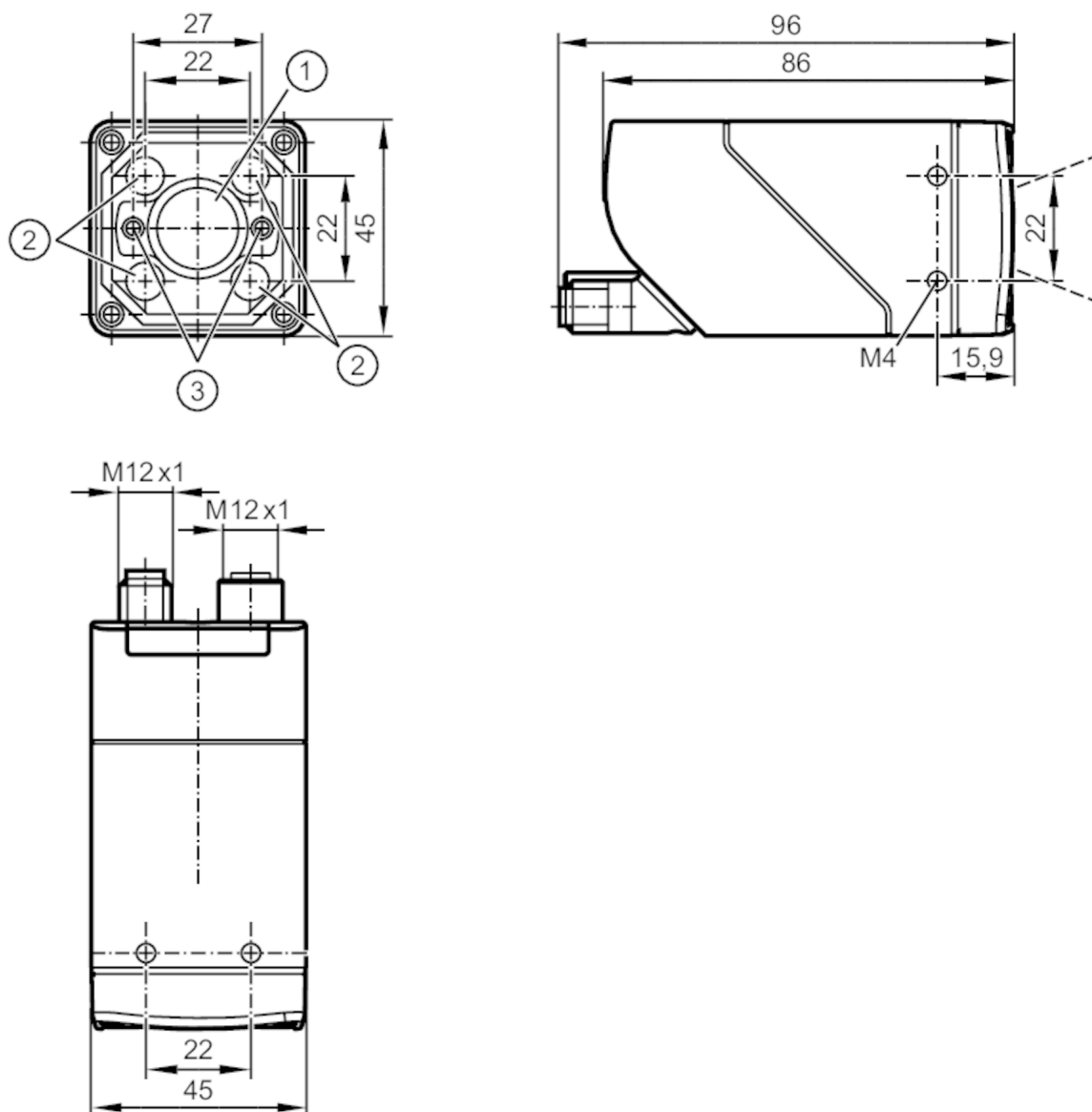


O2I501



1D/2D code readers

O2IIRDKG/E1/E2/EF/IVF/TB/S



- 1 lens
- 2 illumination unit
- 3 laser spots



Product characteristics

Type of light		infrared light
Max. reading rate	[Hz]	40
Communication interface		Ethernet
Dimensions	[mm]	45 x 45 x 85



1D/2D code readers

O2IIRDKG/E1/E2/EF/VF/TB/S

Electrical data					
Operating voltage	[V]	18...30 DC			
Current consumption	[mA]	< 400; (24V DC)			
Protection class		III			
Reverse polarity protection		yes			
Type of light		infrared light			
Wave length	[nm]	850			
Image sensor		CMOS image sensor black/white			
Internal lighting		yes			
Laser marking		yes			
Inputs / outputs					
Number of inputs and outputs		Number of digital inputs: 1; Number of digital outputs: 2			
Inputs					
Number of digital inputs		1			
Trigger		external; 24 V PNP/NPN (IEC 61131-2 Typ 3); TCP/IP; EtherNet/IP; internal			
Outputs					
Total number of outputs		2			
Number of digital outputs		2; (configurable)			
Output function		24 V PNP/NPN			
Max. voltage drop switching output DC	[V]	1			
Max. current load per output	[mA]	100			
Short-circuit protection		yes			
Type of short-circuit protection		pulsed			
Overload protection		yes			
Detection zone					
Field of view size	[mm]	Operating distance	field of view		
		85	28 x 21		
		300	92 x 69		
		500	152 x 114		
		1000	302 x 227		
Operating distance	[mm]	> 85			
Image resolution	[px]	1280 x 960			
Lens type		standard			
Readable codes		Interleaved 2-of-5; Industrial 2-of-5; Code 39; Code 93; Code 128; Pharmacode; Codabar; EAN8; EAN8 Add-On 2; EAN8 Add-On 5; EAN13; EAN13 Add-On 2; EAN13 Add-On 5; UPC-A; UPC-A Add-On 2; UPC-A Add-On 5; UPC-E; UPC-E Add-On 2; UPC-E Add-On 5; GS1 DataBar Omnidirectional; GS1 DataBar Truncated; GS1 DataBar Stacked; GS1 DataBar Stacked Omnidirectional; GS1 DataBar Limited; GS1 DataBar			



1D/2D code readers

O2IIRDKG/E1/E2/EF/VF/TB/S

	Expanded; GS1 DataBar Expanded Stacked; GS1 - 128; MSI Barcode; ECC200; PDF-417; QR; Micro-QR; Aztec Code; GS1 ECC200; GS1 QR Code; GS1 Aztec Code	
Code quality based on		ISO / IEC 15415
		ISO / IEC 15416
		AIM DPM
		ISO/IEC TR 29158
		SEMI T10
Omnidirectional reading	yes	
Max. inclination to the image plane [°]	45	
Max. reading rate [Hz]	40	

Software / programming

Parameter setting options	teach button; via PC with ifm Vision Assistant
---------------------------	--

Interfaces

Communication interface	Ethernet
Ethernet	
Number of Ethernet interfaces	1
Transmission standard	10Base-T; 100Base-TX
Transmission rate	10 MBit/s; 100 MBit/s
Protocol	TCP/IP; EtherNet/IP
Factory settings	IP address: 192.168.0.69
	subnet mask: 255.255.255.0 (Class C)
	gateway IP address: 192.168.0.201
	MAC address: see type label
Usage type	parameter setting; data transmission

Operating conditions

Ambient temperature [°C]	-10...50
Storage temperature [°C]	-40...70
Protection	IP 65

Tests / approvals


EMC	EN 61000-6-4 radiation of interference	industrial environments
	EN IEC 61000-6-2 immunity	industrial environments
Shock resistance	EN 60068-2-27	50 g 11 ms / not repetitive
	EN 60068-2-27	40 g 6 ms / repetitive
Vibration resistance	EN 60068-2-6	2 g (10 ... 150 Hz)
Laser protection class	1	
Notes on laser protection	Caution:	laser light
	laser class:	1
		EN / IEC60825-1:2007
		EN / IEC60825-1:2014
		Complies with 21 CFR 1040 except for deviations pursuant to Laser Notice No. 50, dated June 2007.
Photobiological safety	exempt group; (EN 62471)	
Electrical protection	EN 61010-2-201	electrical supply only via PELV circuits

O2I501



1D/2D code readers

O2IIRDKG/E1/E2/EF/VF/TB/S

Mechanical data		
Weight [g]	599.1	
Dimensions [mm]	45 x 45 x 85	
Materials	housing: diecast zinc powder-coated; front lens: Gorillaglas; LED window: PC; pushbutton: POM; plug: stainless steel; Sealing: FKM	
Displays / operating elements		
Display	function	2 x LED, green
	function	2 x LED, yellow
	Teach-Funktion	1 x LED, green
	Teach-Funktion	1 x LED, yellow
Operating elements	1 x	Teach-Taste
Accessories		
Accessories (optional)	Operating software	
	Mounting accessories	
	Adapter cable	
	protective panes and filter panes	
Remarks		
Pack quantity	1 pcs.	
Electrical connection		
Electrical connection - Ethernet		
1	TxD+	
2	RxD+	
3	TxD-	
4	RxD-	
Connector: 1 x M12		
		
Electrical connection - supply		
1	U+	
2	trigger input	
3	0 V	
4	switching output 1 configurable	
5	switching output 2 configurable / trigger output with external illumination	
Connector: 1 x M12		

O2I501



1D/2D code readers

O2IIRDKG/E1/E2/EF/VF/TB/S

