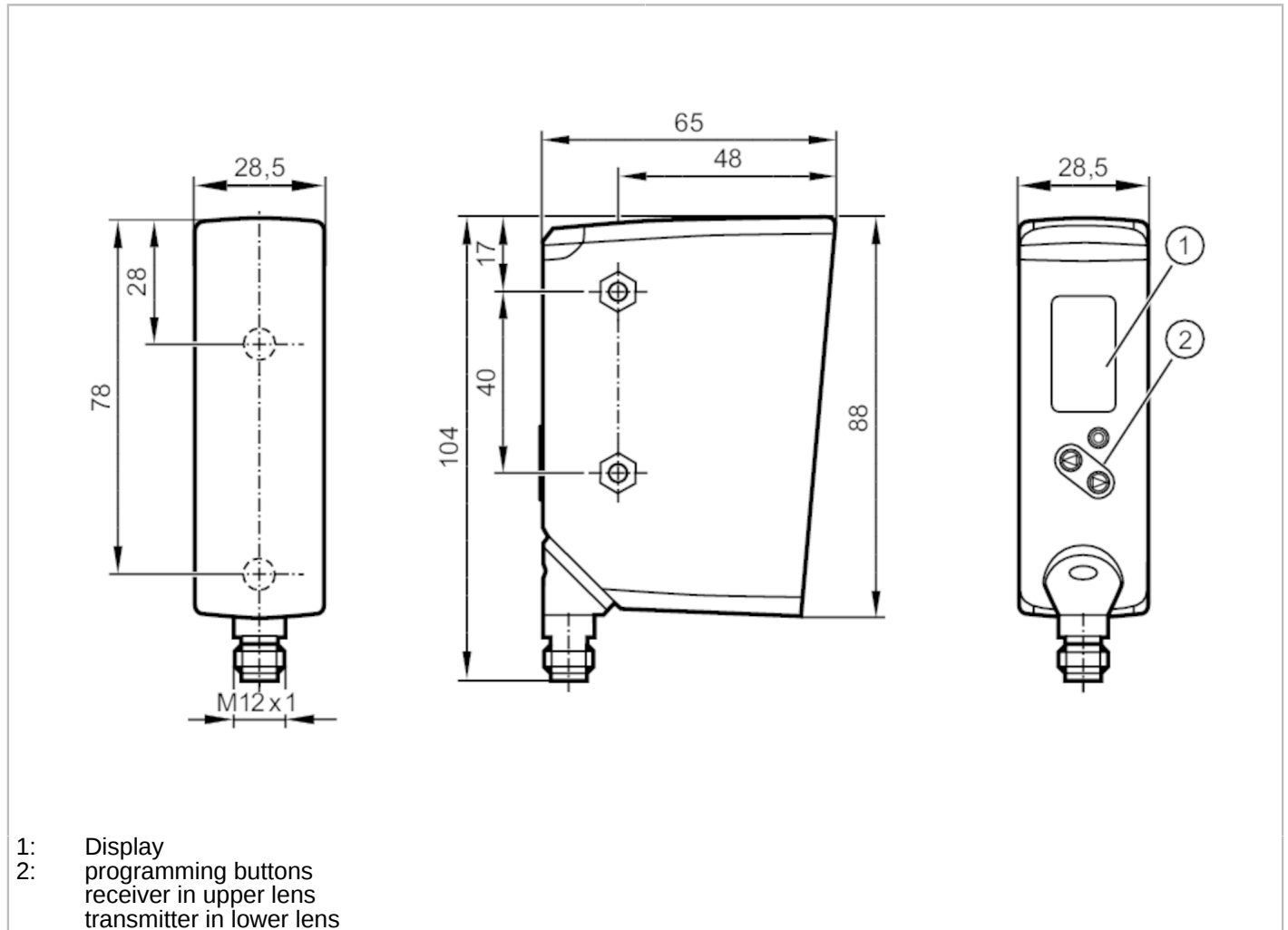


OPD100



Contour sensor

OPDLFPKG



Product characteristics

Type of light	red light
Communication interface	IO-Link
Laser protection class	1
Dimensions [mm]	88 x 65 x 28.5

Electrical data

Operating voltage [V]	10...30 DC
Current consumption [mA]	< 200
Current consumption reference voltage [V]	10
Protection class	III
Reverse polarity protection	yes
Type of light	red light
Wave length [nm]	650

Inputs / outputs

Number of inputs and outputs	Number of digital inputs: 1; Number of digital outputs: 2
------------------------------	---

OPD100



Contour sensor

OPDLFPKG

Inputs		
Number of digital inputs	1	
Trigger	external	
Outputs		
Electrical design	PNP/NPN; (parameterisable)	
Number of digital outputs	2	
Output function	2 x normally open / normally closed; (parameterisable)	
Max. current load per output [mA]	100	
Type of short-circuit protection	pulsed	
Overload protection	yes	
Measuring/setting range		
Measuring distance (Z-direction) [mm]	150...300	
Width of the measuring range (X-direction) at min. measuring distance [mm]	45; (distance = 150mm)	
Width of the measuring range (X-direction) at max. measuring distance [mm]	90; (distance = 300mm)	
Sampling rate [Hz]	5	
Accuracy / deviations		
Measured value resolution	Z-direction 200 µm	
	X-direction 250 µm	
Accuracy	Z-direction ± 500 µm	
	X-direction ± 500 µm	
	background (white 90 % remission)	
Interfaces		
Communication interface	IO-Link	
Transmission type	COM3 (230 kBaud)	
IO-Link revision	1.1	
SDCI standard	IEC 61131-9	
Profiles	Smart Sensor: Process Data Variable; Device Identification, Device Diagnosis	
SIO mode	yes	
Required master port type	A	
Min. process cycle time [ms]	2.3	
IO-Link functions (cyclical)	function	bit length
	process value	16
	device status	4
	binary switching information	1
IO-Link functions (acyclical)	operating hours counter; number of trigger events; ROI setting	
Supported DeviceIDs	1260d / 04 ECh	
Note	For further information please see the IODD PDF file at "Downloads"	

OPD100



Contour sensor

OPDLFPKG

Operating conditions		
Ambient temperature	[°C]	-10...55
Storage temperature	[°C]	-40...60
Protection		IP 65
Max. immunity to extraneous light	[klx]	20

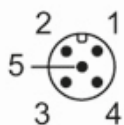
Tests / approvals		
EMC	EN 60947-5-2	
Laser protection class		1
Notes on laser protection	Caution:	laser light
	laser class:	1
		EN / IEC60825-1:2007
		EN / IEC60825-1:2014
		Complies with 21 CFR 1040 except for deviations pursuant to Laser Notice No. 50, dated June 2007.

Mechanical data		
Weight	[g]	484.9
Dimensions	[mm]	88 x 65 x 28.5
Materials	Housing: diecast zinc ; PPSU; ABS; PMMA; PBT / PC; EPDM; front lens: PMMA	

Displays / operating elements		
Display	switching status	1 x LED, yellow
	Display operation	1 x LED, green
		colour display

Remarks		
Pack quantity		1 pcs.

Electrical connection
Connector: 1 x M12



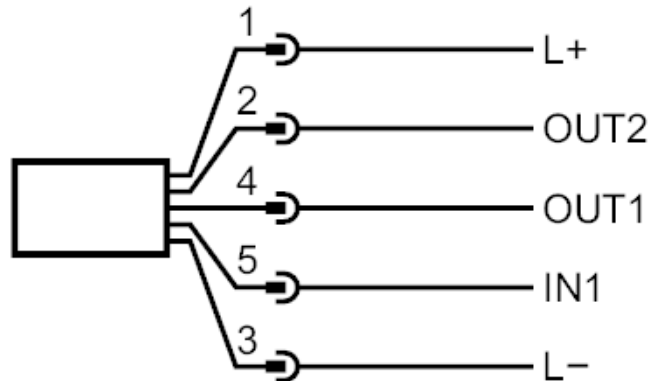
OPD100



Contour sensor

OPDLFPKG

Connection



- 4: OUT1 switching output or IO-Link
- 2: OUT2 switching output
- 5: trigger input

Other data

light line

measuring distance (Z-direction)	light line
150 mm	50 x 1 mm
300 mm	100 x 1 mm

The values apply at

Extraneous light on the object	< 20 klx
constant ambient conditions	23 °C / 960 hPa
minimum power-on time in minutes	10

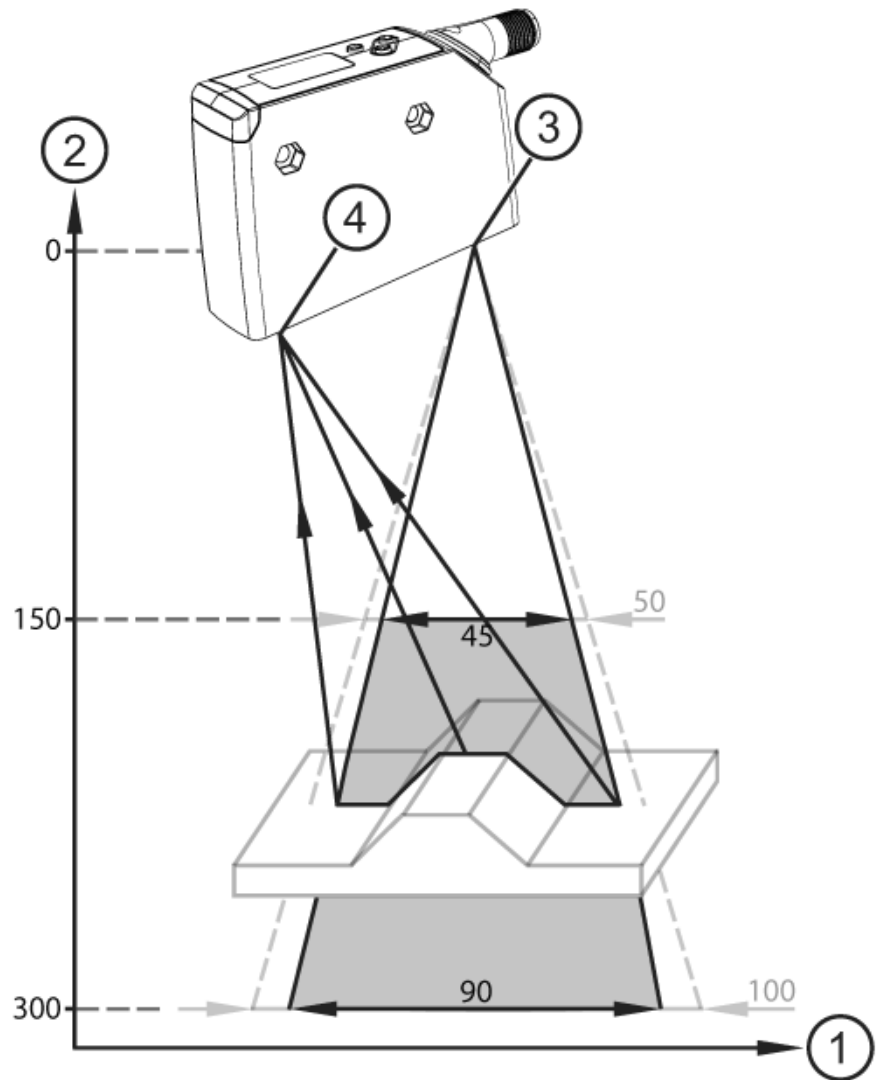
OPD100

Contour sensor

OPDLFPKG



Diagrams and graphs



- 1 X-direction
- 2 Z-direction
- 3 laser beam aperture
- 4 receiver