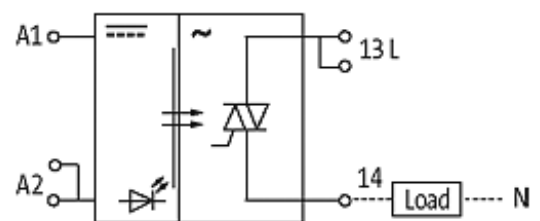


AMS 20-47/4 OPTO-COUPLER MODULE

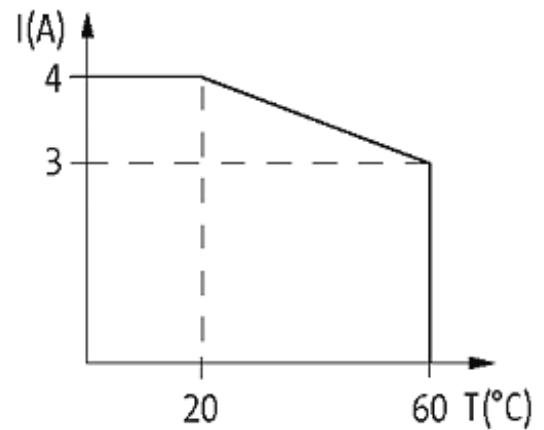
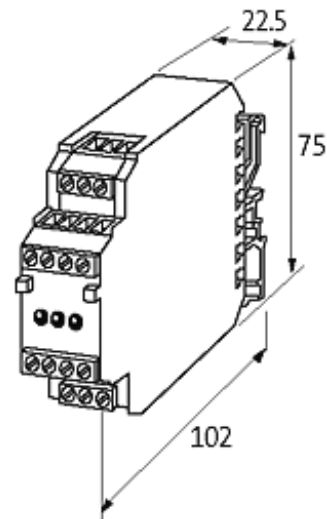
IN: 53 VDC - OUT: 250 VAC / 4 A

Triac 4 A
24 V DC

Control voltage 230 V AC on request

[Link to Product](#)**Illustration**

stay connected



Product may differ from Image

Input

Voltage range ON	10...53 V DC
Voltage range OFF	0...3 V DC
Input current	10 mA
LED display	LED (red)

General data

Test isolation voltage	6 kV
Mounting method	DIN-rail mountable TH35 or G32 (EN 60715)
Housing	Black plastic, flame retardant
Temperature range	-20...+60 °C
Dimensions H × W × D	75×22.5×85 mm

Output

Switching voltage	24...250 V AC
Switching current per output	10 mA...4 A
Saturation voltage (across output)	max. 1.4 V AC
Leakage current (output is open)	max. 10 mA
Switching time ON/OFF	10/10 ms

Switching frequency max. 30/5 Hz (resist./ind.)

Commercial data

country of origin CZ

customs tariff number 85414090

minimum order quantity 1