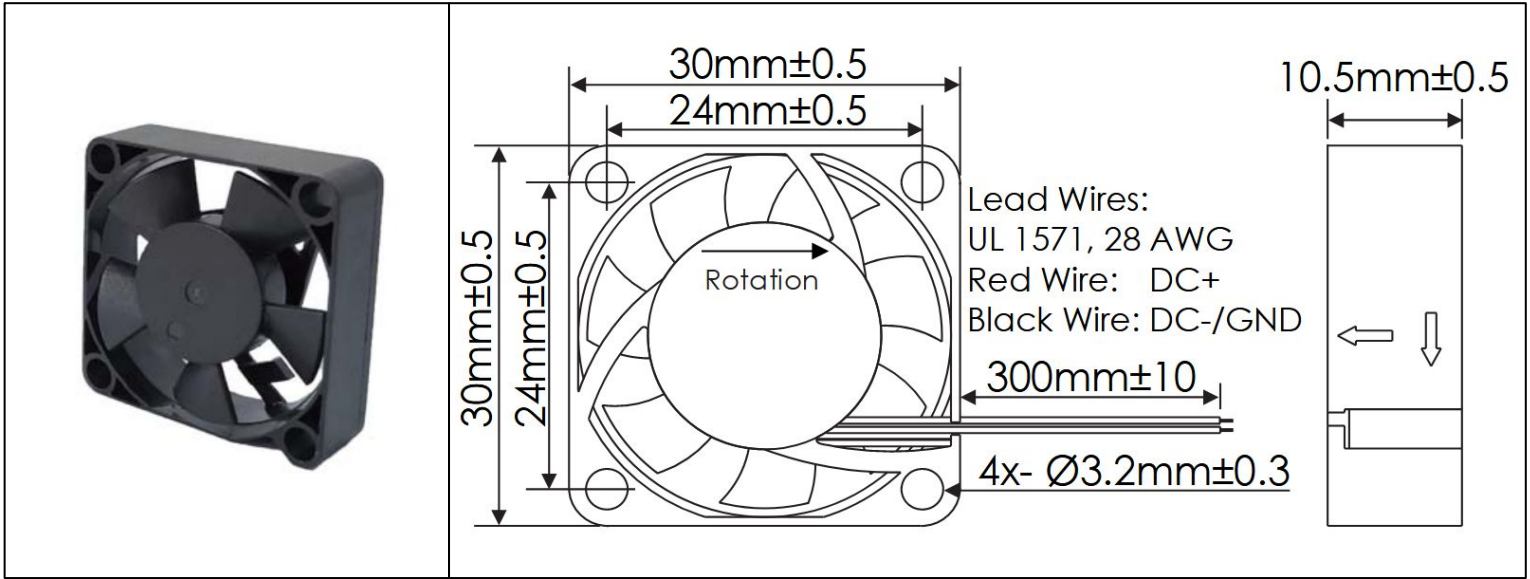


OD3010 Series



DC Fans - 5, 12V
30mm x 10.5mm (1.2" x 0.4")



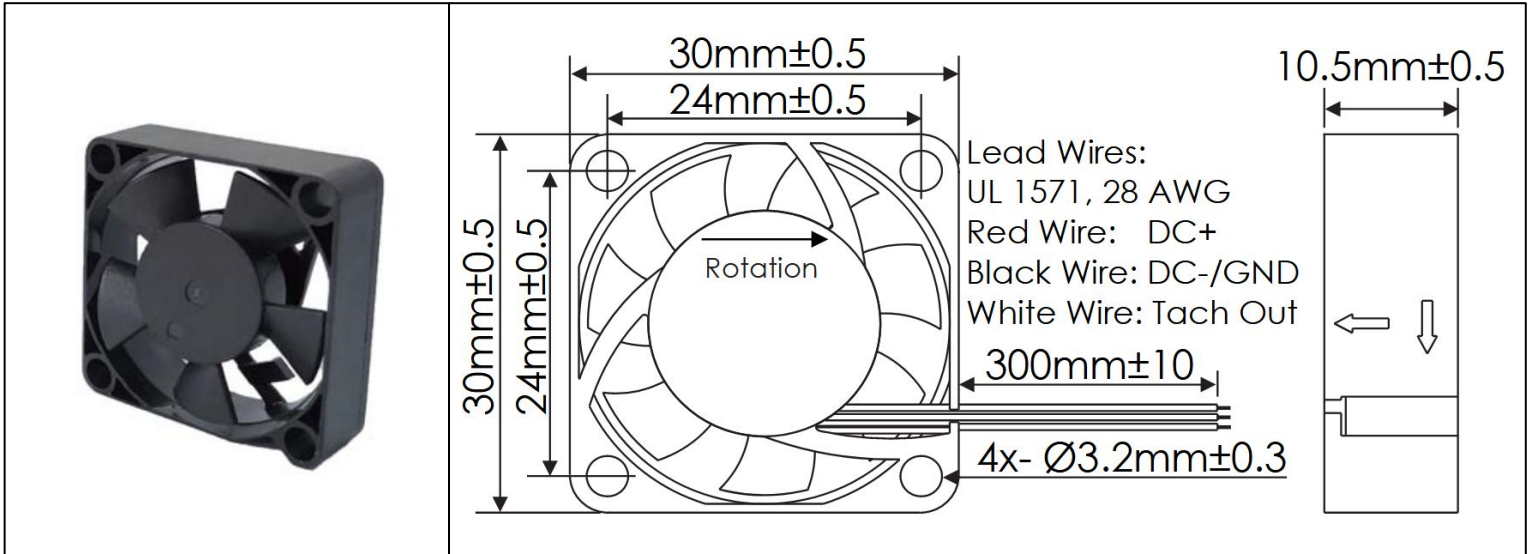
Frame	PBT, UL94 V-0 Plastic	Operating Temperature -20°C ~ +65°C Storage Temperature -20°C ~ +70°C Life Expectancy 50,000 Hours (L10 at 45°C) Available Options PWM Speed Control Input Tachometer Output Alarm Output Weight: 0.02 lbs	
Impeller	PBT, UL94 V-0 Plastic		
Connection	2x Wire Leads, 28 AWG		
Motor	Brushless DC, Auto Cutoff, Auto Restart, Electronically Protected, Polarity Protected		
Bearing System	Ball Bearings		
Dielectric Strength	500VDC/min, <1mA		
Insulation Resistance	≥10M Ohm @ 500 VDC		

Part Number	Rated Voltage (Volts DC)	Voltage Range (Volts DC)	Input Power (Watts)	Rated Current (Amps)	Rated Speed (RPM)	Max Airflow (CFM)	Noise Level (dBA)	Max Static Pressure ("H ₂ O)
OD3010-05HB	5	4.5 ~ 5.5	1.10	0.21	11000	5.0	30.2	0.21
OD3010-05MB	5	4.5 ~ 5.5	1.10	0.21	9000	4.0	28.4	0.18
OD3010-05LB	5	4.5 ~ 5.5	0.90	0.18	8000	3.5	23.1	0.15
OD3010-12HB	12	11 ~ 13.8	1.50	0.12	11000	5.0	30.2	0.21
OD3010-12MB	12	11 ~ 13.8	1.50	0.12	9000	4.0	28.4	0.18
OD3010-12LB	12	11 ~ 13.8	1.20	0.10	8000	3.5	23.1	0.15

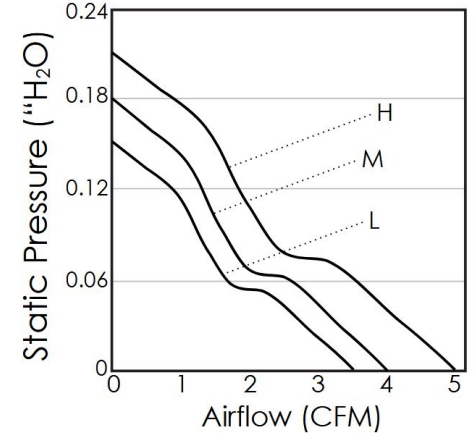
OD3010 Series with Tach



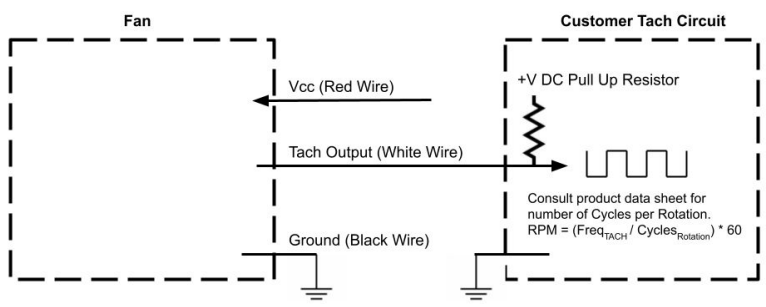
DC Fans - 5, 12V
30mm x 10.5mm (1.2" x 0.4")



Frame	PBT, UL94 V-0 Plastic	Operating Temperature -20°C ~ +65°C Storage Temperature -20°C ~ +70°C Life Expectancy 50,000 Hours (L10 at 45°C) Installed Options Open Collector Tach Output Weight: 0.02 lbs
Impeller	PBT, UL94 V-0 Plastic	
Connection	3x Wire Leads, 28 AWG	
Motor	Brushless DC, Auto Cutoff, Auto Restart, Electronically Protected, Polarity Protected	
Bearing System	Ball Bearings	
Dielectric Strength	500VDC/min, <1mA	
Insulation Resistance	≥10M Ohm @ 500 VDC	



Part Number	Rated Voltage (Volts DC)	Voltage Range (Volts DC)	Input Power (Watts)	Rated Current (Amps)	Rated Speed (RPM)	Max Airflow (CFM)	Noise Level (dBA)	Max Static Pressure ("H ₂ O)
OD3010-05HB01A	5	4.5 ~ 5.5	1.10	0.21	11000	5.0	30.2	0.21
OD3010-05MB01A	5	4.5 ~ 5.5	1.10	0.21	9000	4.0	28.4	0.18
OD3010-05LB01A	5	4.5 ~ 5.5	0.90	0.18	8000	3.5	23.1	0.15
OD3010-12HB01A	12	11 ~ 13.8	1.50	0.12	11000	5.0	30.2	0.21
OD3010-12MB01A	12	11 ~ 13.8	1.50	0.12	9000	4.0	28.4	0.18
OD3010-12LB01A	12	11 ~ 13.8	1.20	0.10	8000	3.5	23.1	0.15

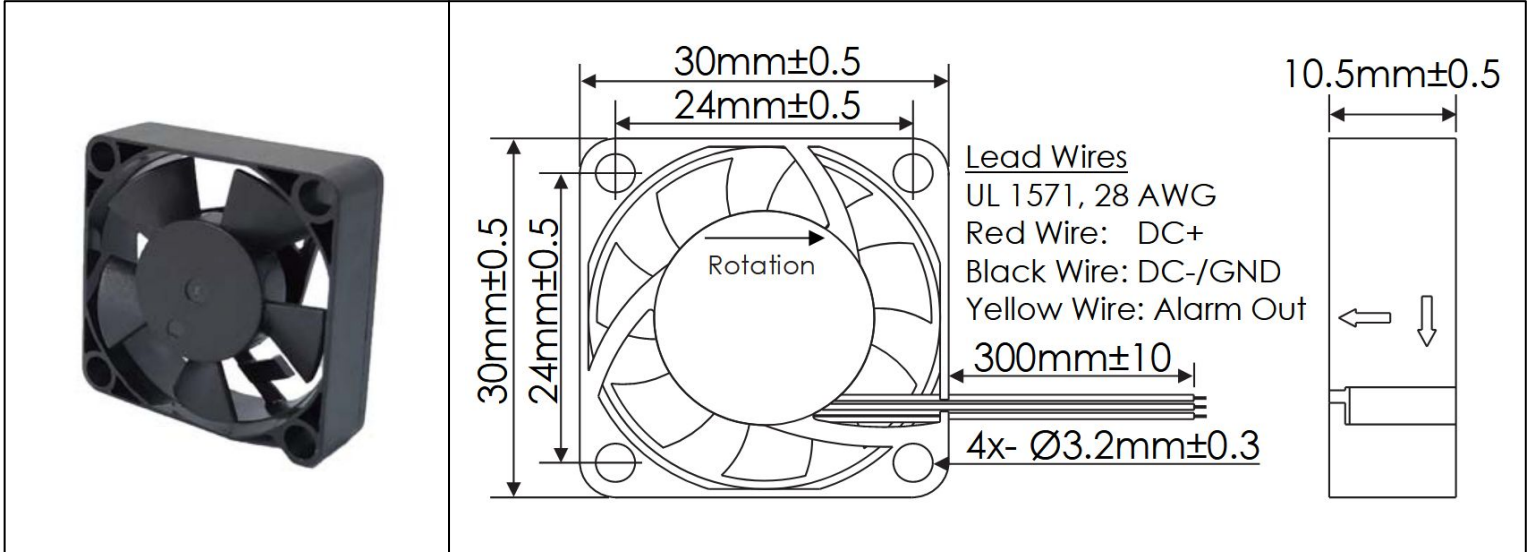


Tach Max Pullup Voltage: Fan Vcc
Tach Max Sink Current: 5mA
Tach Cycles per Rotation: 2

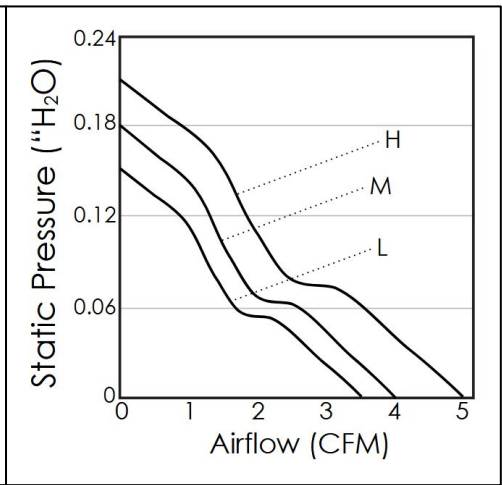
OD3010 Series with Alarm



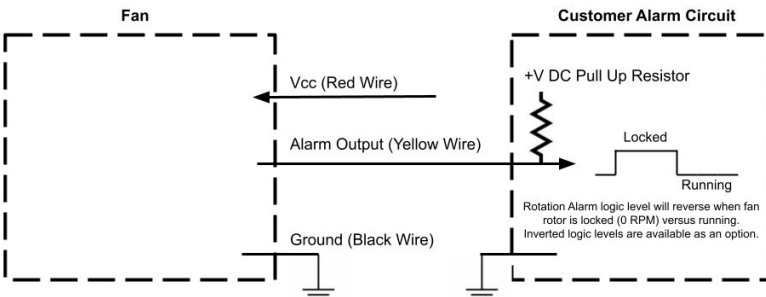
DC Fans - 5, 12V
30mm x 10.5mm (1.2" x 0.4")



Frame	PBT, UL94 V-0 Plastic	<u>Operating Temperature</u> -20°C ~ +65°C <u>Storage Temperature</u> -20°C ~ +70°C <u>Life Expectancy</u> 50,000 Hours (L10 at 45°C) <u>Installed Options</u> Open Collector Alarm Output Weight: 0.02 lbs
Impeller	PBT, UL94 V-0 Plastic	
Connection	3x Wire Leads, 28 AWG	
Motor	Brushless DC, Auto Cutoff, Auto Restart, Electronically Protected, Polarity Protected	
Bearing System	Ball Bearings	
Dielectric Strength	500VDC/min, <1mA	
Insulation Resistance	≥10M Ohm @ 500 VDC	



Part Number	Rated Voltage (Volts DC)	Voltage Range (Volts DC)	Input Power (Watts)	Rated Current (Amps)	Rated Speed (RPM)	Max Airflow (CFM)	Noise Level (dBA)	Max Static Pressure ("H ₂ O)
OD3010-05HB02A	5	4.5 ~ 5.5	1.10	0.21	11000	5.0	30.2	0.21
OD3010-05MB02A	5	4.5 ~ 5.5	1.10	0.21	9000	4.0	28.4	0.18
OD3010-05LB02A	5	4.5 ~ 5.5	0.90	0.18	8000	3.5	23.1	0.15
OD3010-12HB02A	12	11 ~ 13.8	1.50	0.12	11000	5.0	30.2	0.21
OD3010-12MB02A	12	11 ~ 13.8	1.50	0.12	9000	4.0	28.4	0.18
OD3010-12LB02A	12	11 ~ 13.8	1.20	0.10	8000	3.5	23.1	0.15

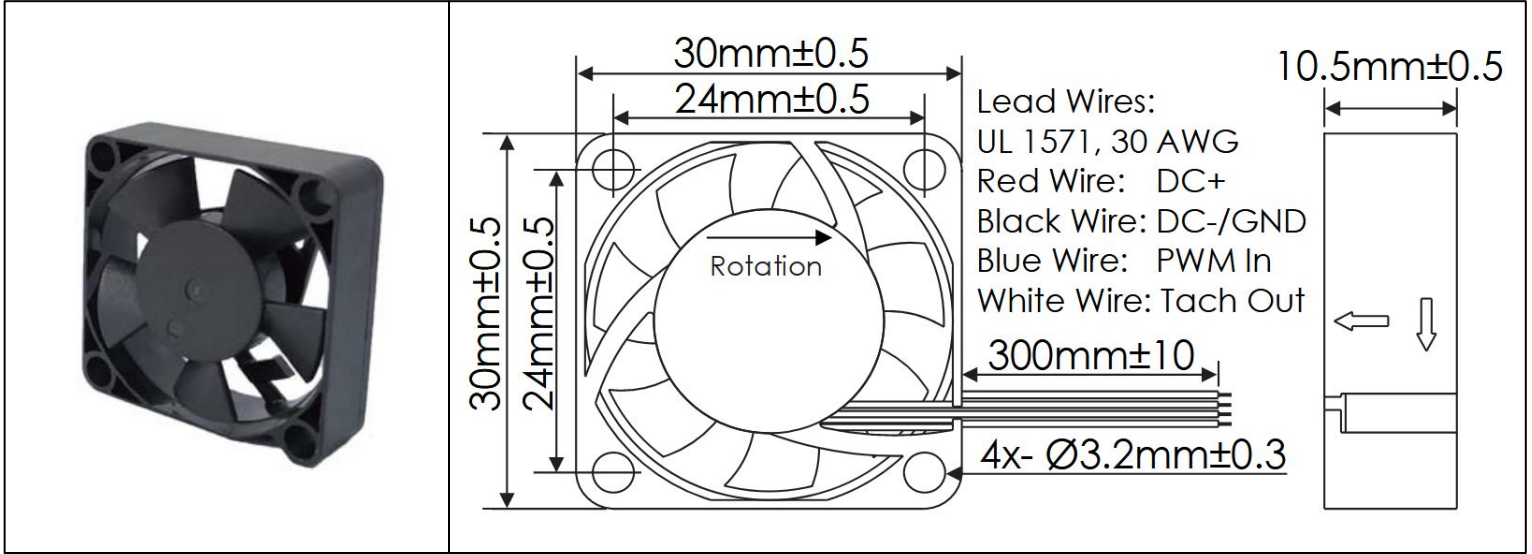


Alarm Max Pullup Voltage: Fan Vcc
 Alarm Max Sink Current: 5mA
 Alarm Active Logic State: HIGH

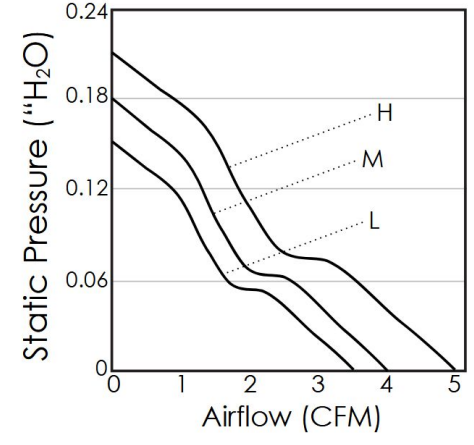
OD3010 Series with PWM and Tach



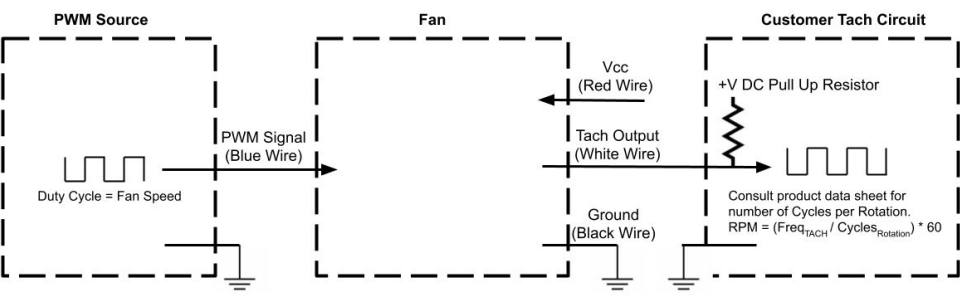
DC Fans - 5, 12V
30mm x 10.5mm (1.2" x 0.4")



Frame	PBT, UL94 V-0 Plastic	Operating Temperature -20°C ~ +65°C Storage Temperature -20°C ~ +70°C Life Expectancy 50,000 Hours (L10 at 45°C) Installed Options PWM Speed Control Input Open Collector Tach Output Weight: 0.02 lbs
Impeller	PBT, UL94 V-0 Plastic	
Connection	4x Wire Leads, 30 AWG	
Motor	Brushless DC, Auto Cutoff, Auto Restart, Electronically Protected, Polarity Protected	
Bearing System	Ball Bearings	
Dielectric Strength	500VDC/min, <1mA	
Insulation Resistance	≥10M Ohm @ 500 VDC	



Part Number	Rated Voltage (Volts DC)	Voltage Range (Volts DC)	Input Power (Watts)	Rated Current (Amps)	Rated Speed (RPM)	Max Airflow (CFM)	Noise Level (dBA)	Max Static Pressure ("H ₂ O)
OD3010-05HB10A	5	4.5 ~ 5.5	1.10	0.21	11000	5.0	30.2	0.21
OD3010-05MB10A	5	4.5 ~ 5.5	1.10	0.21	9000	4.0	28.4	0.18
OD3010-05LB10A	5	4.5 ~ 5.5	0.90	0.18	8000	3.5	23.1	0.15
OD3010-12HB10A	12	11 ~ 13.8	1.50	0.12	11000	5.0	30.2	0.21
OD3010-12MB10A	12	11 ~ 13.8	1.50	0.12	9000	4.0	28.4	0.18
OD3010-12LB10A	12	11 ~ 13.8	1.20	0.10	8000	3.5	23.1	0.15



PWM Max High Voltage: 5V
 PWM Max Sink Current: 5mA
 PWM Frequency Range: 1KHz-40KHz
 PWM Typical Frequency: 25KHz
 RPM at 0% Duty Cycle: 0 RPM
 RPM will be full speed if PWM input is disconnected.
 Tach Max Pullup Voltage: Fan Vcc
 Tach Max Sink Current: 5mA
 Tach Cycles per Rotation: 2