

IHF50

AKA n/a

Device rfi filter

Current 50A 40°C

Earthing M6x13 stud 4Nm

Enclosure aluminium 1.2mm

Loss 5W/ph

Leakage 1.7mA operating

Mass 1.75kg

Mounting M5 2Nm

PCB FR4 AVLV2 VW-1 600V 105°C IIIa

Potting resin

Power 12kW

Protection IP00

Resistance 2mR/ph

Residual 1v 5s

SCCR 5kA

Style stud filter

Terminal M6 stud 4Nm

Varistor n/a

Supply 1P 240V 50/60Hz

Voltage 254V max

Withstand 2100Vdc 60s

Altitude 2000m w/out derating

Bonding 25A 50/60Hz

Class class I

Environment -25/+85/21

Flammability UL94 V-2 min

Humidity 93% RH non-condensing

Insulation 500Vdc ≥3.5MR

Material group IIIb

MTBF 22yrs (MIL-HDBK-217F)

Overload 135% 2hrs 150% 60s

Overvoltage category II

Packaging ASTM D7386

Pollution degree II

Shock 15g 11ms

Spacing ≥50mm gap

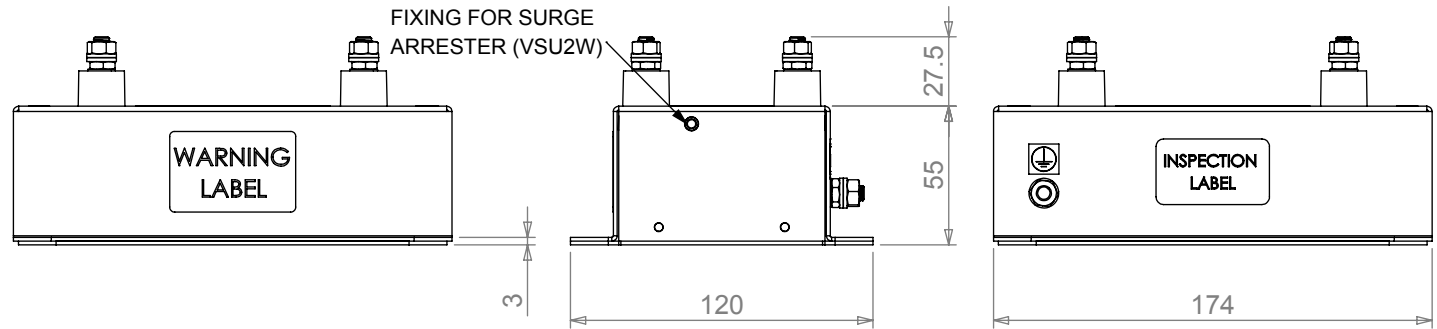
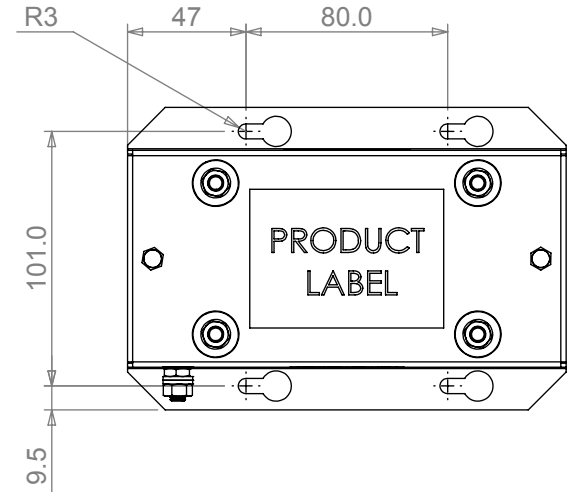
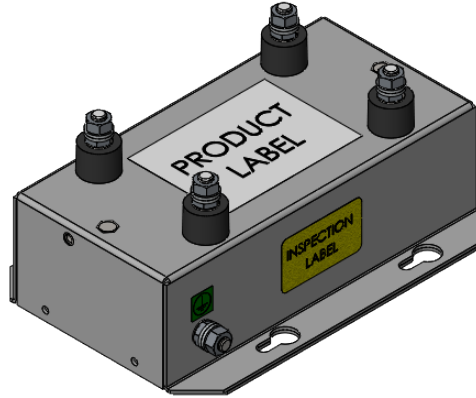
Vibration 5-55Hz 350um 55-500Hz 2G

EU CE EN60939

US n/a

CAN n/a

OTHER n/a



+44(0)1724 273200 www.dem-uk.com

PROPRIETARY AND CONFIDENTIAL:

THE INFORMATION CONTAINED IN THIS DRAWING IS THE SOLE PROPERTY OF ALPHA 3 MANUFACTURING. ANY REPRODUCTION IN PART OR AS A WHOLE WITHOUT THE WRITTEN PERMISSION OF ALPHA 3 MANUFACTURING IS PROHIBITED.

DEM Manufacturing is a division of Alpha 3 Manufacturing LTD
 DEM Manufacturing, Deltron Emcon House, Hargreaves Way,
 Sawcliffe Ind. Park, Scunthorpe, North Lincolnshire, DN15 8RF, UK

UNLESS OTHERWISE SPECIFIED DIMENSIONS ARE IN MILLIMETRES

LINEAR & RADIAL TOLERANCE:

NO DECIMAL PLACES ±0.5mm

1 DECIMAL PLACE ±0.25mm

2 DECIMAL PLACES ±0.125mm

ANGULAR TOLERANCE: ±1°

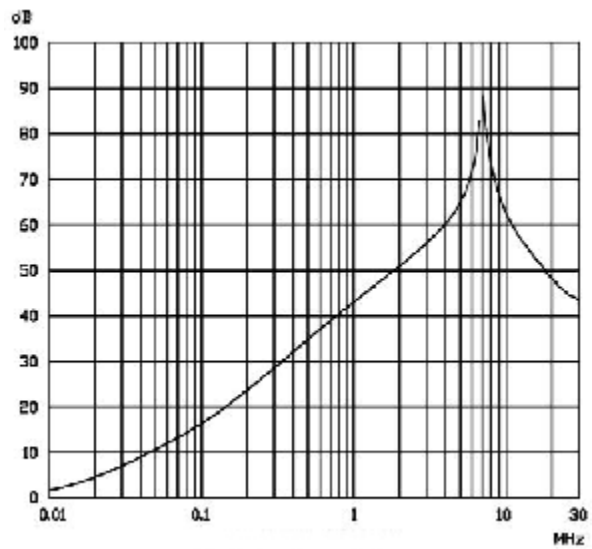
IF IN DOUBT ASK! DO NOT SCALE DRAWING!

| | |
|----------|---|
| FINISH | - |
| MATERIAL | - |

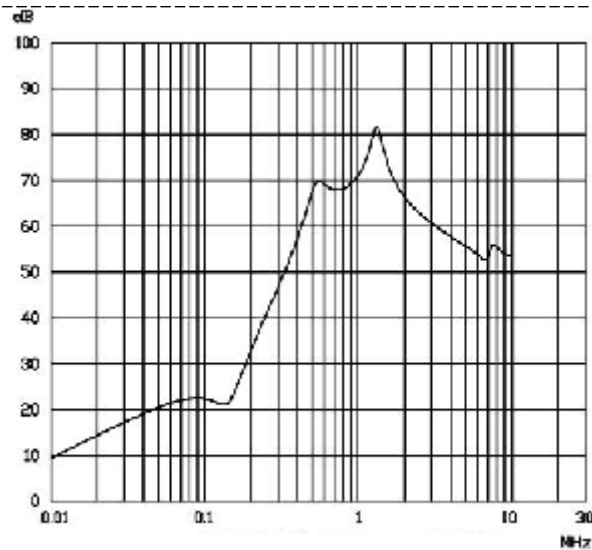
THE FINISHED PRODUCT SHOULD BE CLEAN AND FREE FROM ALL LIQUIDS AND DEBRIS. SURFACES SHOULD BE OF UNIFORM APPEARANCE FREE FROM SHARP EDGES, BURRS AND CORROSION

THIRD ANGLE PROJECTION

| | | | | |
|--------------|------------|----------|---------------|-------------|
| AUTHOR | SW | TITLE | SPECIFICATION | |
| EDITOR | SW | FILE | IHF50 | |
| APPROVER | SW | PART | IHF50 | |
| SHEET 1 OF 2 | ISSUE/REV. | 004 | VERSION | 8 |
| SCALE 1:2 | A4 | RELEASED | EDIT DATE | 19 Dec 2018 |



A: 50/50Ω ASYMMETRICAL (COMMON)



B: 50/50Ω SYMMETRICAL (DIFFERENTIAL)